

PREPARED FOR:

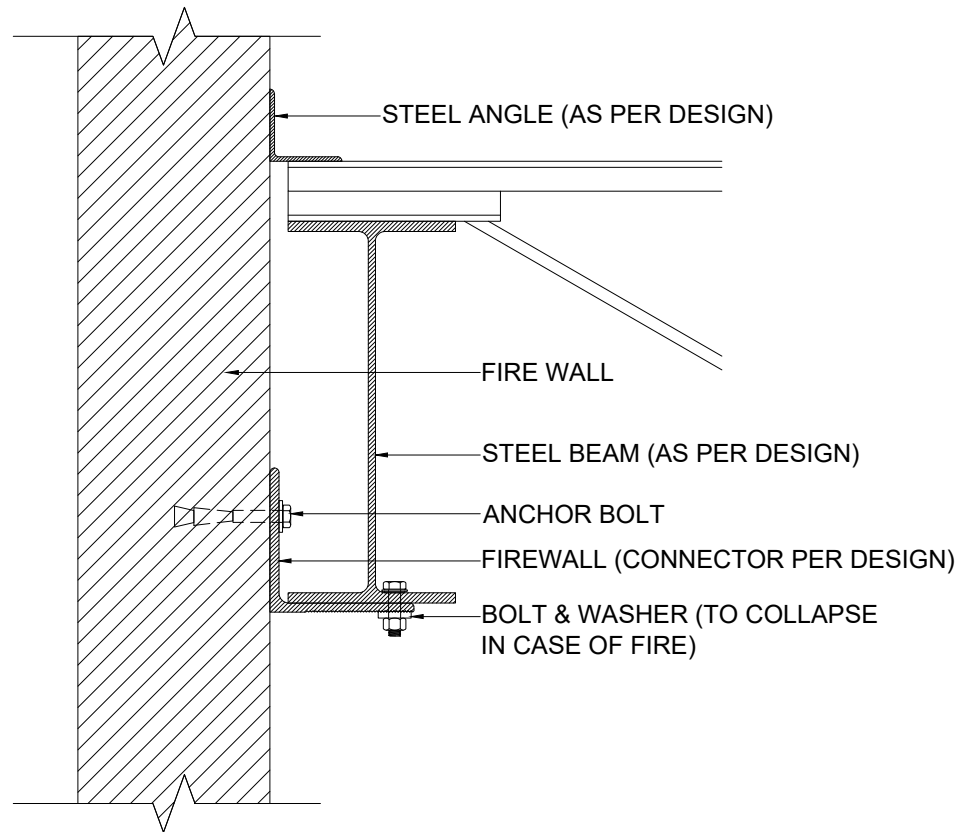
Copyright © 2001 FERRO Corporation
 THESE DRAWINGS HAVE BEEN PREPARED FOR THE SOLE PURPOSE OF REFERENCE FOR CUSTOMER CONTRACTOR AND DESIGN PROFESSIONAL (STRUCTURAL ENGINEER/ARCHITECT). ALL RIGHTS RESERVED. ALL WORKS CONTAINED HEREIN ARE OWNED BY FERRO CORPORATION AND PATENT PROTECTED. MANUFACTURE IS NOT PERMITTED BY ANY PARTY OTHER THAN FERRO CORPORATION.

THESE DRAWINGS ARE PROVIDED FOR INFORMATIONAL PURPOSES ONLY. WHILE EVERY EFFORT IS MADE TO ENSURE ACCURACY, FERRO DOES NOT TAKE ANY RESPONSIBILITY FOR THE ACCURACY OF THESE DRAWINGS. THE BUYER/CONTRACTOR AND DESIGN PROFESSIONAL (ENGINEER/ARCHITECT) HAS PRINCIPAL RESPONSIBILITY TO REVIEW THESE DRAWINGS TO ENSURE DRAWINGS CONFORM TO THE APPLICABLE DESIGN SPECIFICATIONS AND MEASUREMENTS. ALL DIMENSIONS CONTAINED HEREIN MUST BE VERIFIED AND APPROVED BY THE BUYER/CONTRACTOR AND THE ENGINEER/ARCHITECT BEFORE PURCHASE AND BEFORE CONSTRUCTION BEGINS. RECEIPT OF THIS DRAWING ASSUMES ALL RISK AND LIABILITY FOR ANY LOSSES, DAMAGES, CLAIMS OR EXPENSES RESULTING FROM THE USE OF THESE SHOP DRAWINGS. THE AUTHOR OF THESE DRAWINGS IS NOT AN INSPECTOR OR ENGINEER.

FERRO and Ferro-101 are registered trademarks of FERRO Corporation.
 Patented: US 5,440,340; US 5,440,341; US 5,455,265; US 5,234,344; CA 2,738,486; CA 2,751,858; CA 2,769,801; CA 2,863,824.

ENGINEERED MASONRY CONNECTORS
 FERRO
 10101 17th Avenue, Suite 200, Denver, CO 80202, USA
 303.755.4300 • Fax: 303.755.4301
 www.ferroconnectors.com • info@ferroconnectors.com

DATE: 01/03/01 REV: DRAWING NO. FERRO-1.01
 SCALE: 1/2" = 1'-0"



PREPARED FOR:

Copyright © 2001 FERRO Corporation

THESE DRAWINGS HAVE BEEN PREPARED FOR THE SOLE PURPOSE OF REFERENCE FOR CUSTOMER CONTRACTOR AND DESIGN PROFESSIONAL (STRUCTURAL ENGINEER/ARCHITECT). ALL RIGHTS RESERVED. ALL WORKS CONTAINED HEREIN ARE OWNED BY FERRO CORPORATION AND PATENT PROTECTED. MANUFACTURE IS NOT PERMITTED BY ANY PARTY OTHER THAN FERRO CORPORATION.

THESE DRAWINGS ARE PROVIDED FOR INFORMATIONAL PURPOSES ONLY. WHILE EVERY EFFORT IS MADE TO ENSURE ACCURACY, FERRO DOES NOT TAKE ANY RESPONSIBILITY FOR THE ACCURACY OF THESE DRAWINGS. THE BUYER/CONTRACTOR AND DESIGN PROFESSIONAL (ENGINEER/ARCHITECT) HAS PRIMARY RESPONSIBILITY TO REVIEW THESE DRAWINGS TO ENSURE DRAWINGS CONFORM TO THE APPLICABLE DESIGN SPECIFICATIONS AND MEASUREMENTS. ALL DIMENSIONS CONTAINED HEREIN MUST BE VERIFIED AND APPROVED BY THE BUYER/CONTRACTOR AND THE ENGINEER/ARCHITECT BEFORE PURCHASE AND BEFORE CONSTRUCTION BEGINS. RECEIPT OF THIS DRAWING ASSUMES ALL RISK AND LIABILITY FOR ANY LOSSES, DAMAGES, CLAIMS OR EXPENSES RESULTING FROM THE USE OF THESE SHOP DRAWINGS. THE AUTHOR OF THESE DRAWINGS IS NOT AN INSPECTOR OR ENGINEER.

FERRO and Ferro-102 are registered trademarks of FERRO Corporation.

Patented - US 5,440,340; US 5,440,341; US 5,440,342; US 5,234,344; CA 2,739,486; CA 2,751,858; CA 2,769,801; CA 2,769,802; CA 2,769,803.

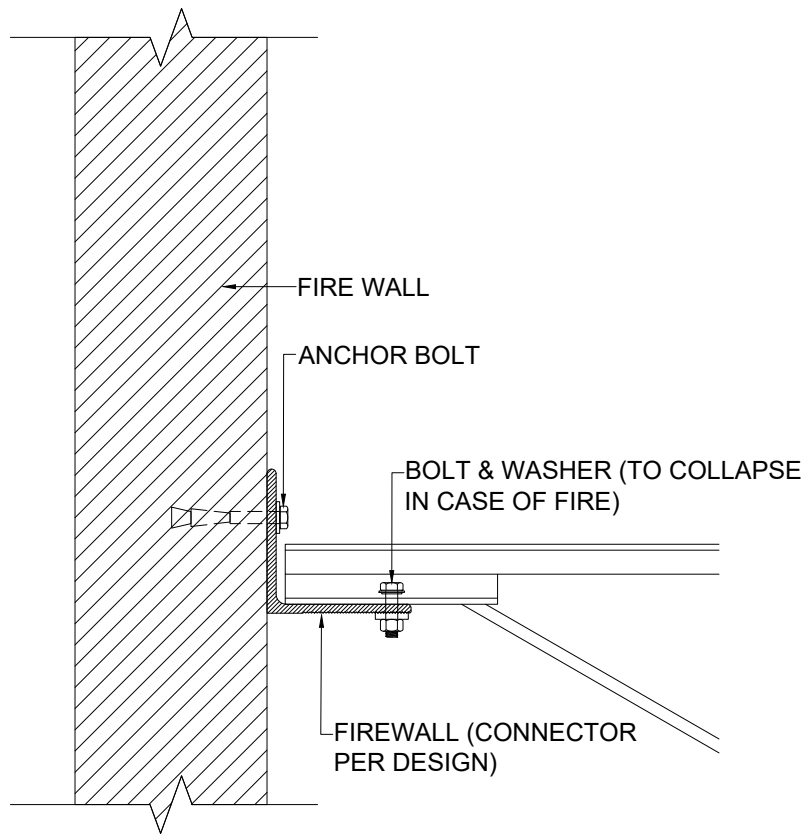
ENGINEERED MASONRY CONNECTORS
FERRO
 10000 17th Avenue, Boulder, Colorado 80501-3000, USA
 303-440-2200 Fax: 303-440-2205
 www.ferroconnectors.com

DESIGN BY: _____ CHECKED BY: _____ APPROVED BY: _____

FIREWALL CONNECTOR BEAM SUPPORT DETAIL

DATE: 01/03/01 REV: _____ DRAWING NO. _____

SCALE: 1/2" = 1'-0" FERRO -1.02



PREPARED FOR:

Copyright © 2001 FERRO Corporation

THESE DRAWINGS HAVE BEEN PREPARED FOR THE SOLE PURPOSE OF REFERENCE FOR CUSTOMER CONTRACTOR AND DESIGN PROFESSIONAL (STRUCTURAL ENGINEER/ARCHITECT). ALL RIGHTS RESERVED. ALL WORKS CONTAINED HEREIN ARE OWNED BY FERRO CORPORATION AND PATENT PROTECTED. MANUFACTURE IS NOT PERMITTED BY ANY PARTY OTHER THAN FERRO CORPORATION.

THESE DRAWINGS ARE PROVIDED FOR INFORMATIONAL PURPOSES ONLY. WHILE EVERY EFFORT IS MADE TO ENSURE ACCURACY, FERRO DOES NOT TAKE ANY RESPONSIBILITY FOR THE ACCURACY OF THESE DRAWINGS. THE BUYER/CONTRACTOR AND DESIGN PROFESSIONAL (ENGINEER/ARCHITECT) HAS PRIMARY RESPONSIBILITY TO REVIEW THESE DRAWINGS TO ENSURE DRAWINGS CONFORM TO THE APPLICABLE DESIGN SPECIFICATIONS AND REQUIREMENTS. ALL DIMENSIONS SHOWN MUST BE VERIFIED AND APPROVED BY THE BUYER/CONTRACTOR AND THE ENGINEER/ARCHITECT BEFORE PURCHASE AND BEFORE CONSTRUCTION BEGINS. RECEIPT OF THIS DRAWING ASSUMES ALL RISK AND LIABILITY FOR ANY LOSSES, DAMAGES, CLAIMS OR EXPENSES RESULTING FROM THE USE OF THESE SHOP DRAWINGS. THE AUTHOR OF THESE DRAWINGS IS NOT AN INSPECTOR OR ENGINEER.

FERRO and Ferro-Shop are registered trademarks of FERRO Corporation.

Patented - US 5,440,340; US 5,440,341; US 5,455,265; US 5,234,344; CA 2,739,486; CA 2,751,858; CA 2,769,801; CA 2,865,824.

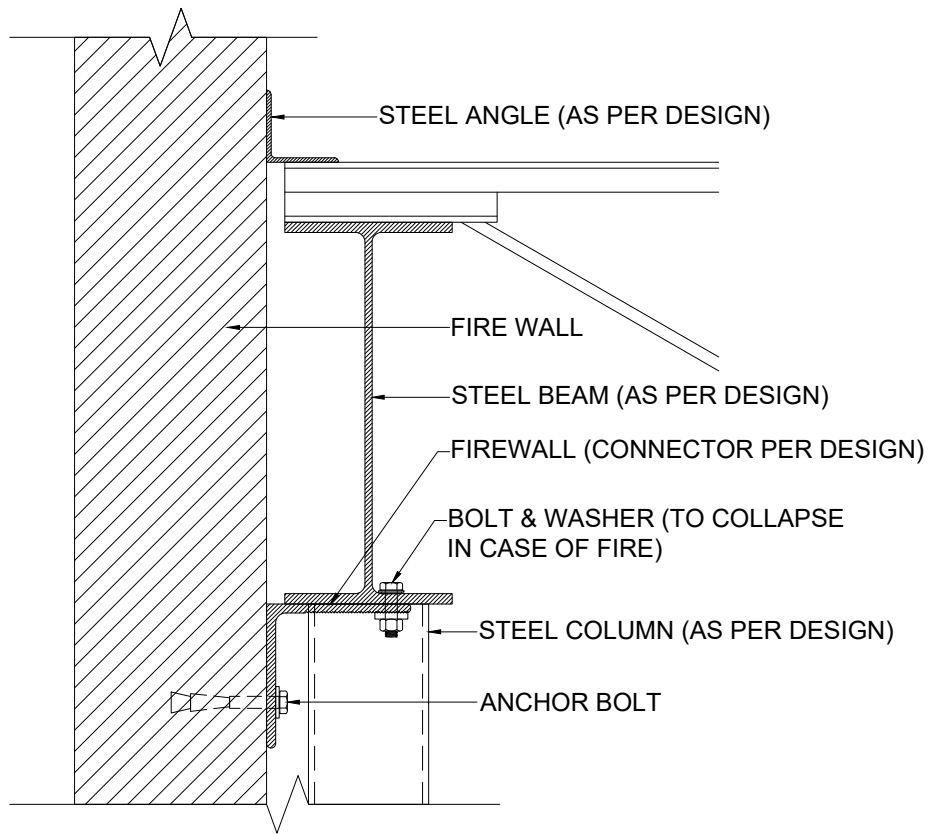
ENGINEERED MASONRY CONNECTORS
FERRO
 10000 Ferrocene Road, Ferrocene, PA 15034
 1-800-445-2266
 www.ferroconnectors.com

DRAWN BY: [] CHD BY: [] APP'D BY: []

FIREWALL CONNECTOR JOIST SUPPORT DETAIL

DATE: 01/03/01 REV: [] DRAWING NO. []

SCALE: 1/2" = 1'-0" FERRO -1.03



PREPARED FOR:

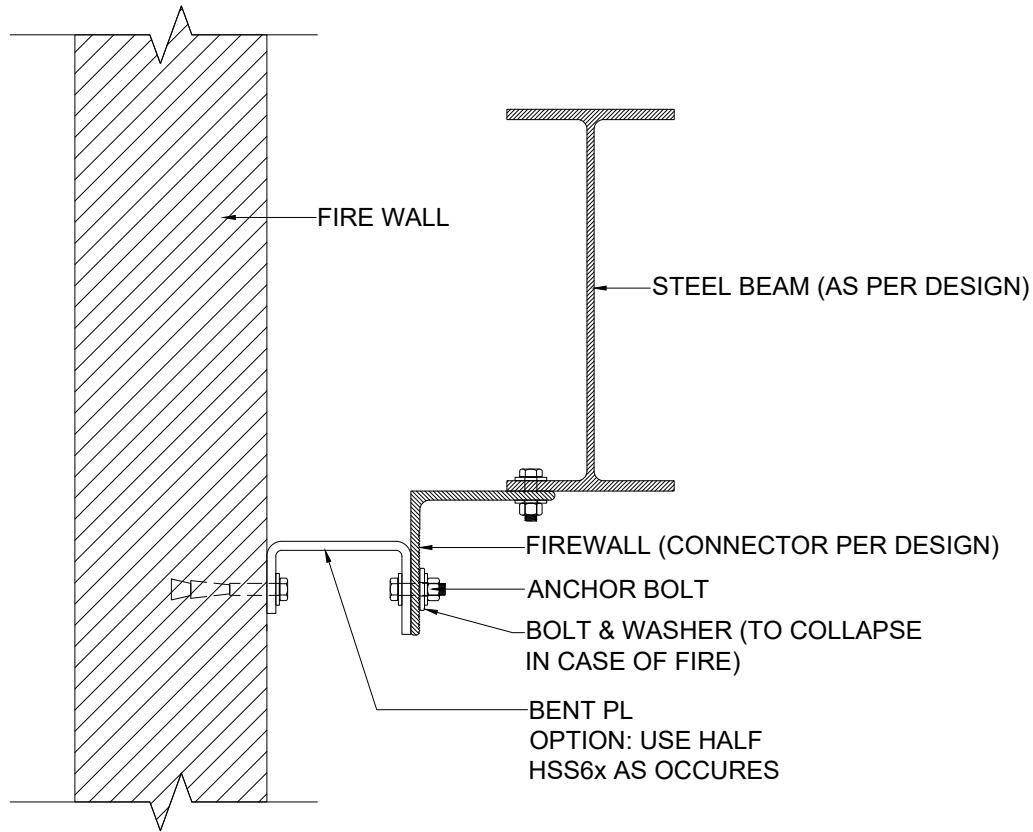
Copyright © 2001 FERRO Corporation
 THESE DRAWINGS HAVE BEEN PREPARED FOR THE SOLE PURPOSE OF REFERENCE FOR CUSTOMER CONTRACTOR AND DESIGN PROFESSIONAL (STRUCTURAL ENGINEER/ARCHITECT). ALL RIGHTS RESERVED. ALL WORKS CONTAINED HEREIN ARE OWNED BY FERRO CORPORATION AND PATENT PROTECTED. MANUFACTURE IS NOT PERMITTED BY ANY PARTY OTHER THAN FERRO CORPORATION.

THESE DRAWINGS ARE PROVIDED FOR INFORMATIONAL PURPOSES ONLY. WHILE EVERY EFFORT IS MADE TO ENSURE ACCURACY, FERRO DOES NOT TAKE ANY RESPONSIBILITY FOR THE ACCURACY OF THESE DRAWINGS. THE BUYER/CONTRACTOR AND DESIGN PROFESSIONAL (ENGINEER/ARCHITECT) HAS PRIMARY RESPONSIBILITY TO REVIEW THESE DRAWINGS TO ENSURE DRAWINGS CONFORM TO THE APPLICABLE DESIGN SPECIFICATIONS AND MEASUREMENTS. ALL DIMENSIONS CONTAINED HEREIN MUST BE VERIFIED AND APPROVED BY THE BUYER/CONTRACTOR AND THE ENGINEER/ARCHITECT BEFORE PURCHASE AND BEFORE CONSTRUCTION BEGINS. RECEIPT OF THIS DRAWING ASSUMES ALL RISK AND LIABILITY FOR ANY LOSSES, DAMAGES, CLAIMS OR EXPENSES RESULTING FROM THE USE OF THESE SHOP DRAWINGS. THE AUTHOR OF THESE DRAWINGS IS NOT AN INSPECTOR OR ENGINEER.

FERRO and Ferro-104 are registered trademarks of FERRO Corporation.
 Patented - US 5,440,340; US 5,440,341; US 5,455,265; US 5,234,344; CA 2,739,486; CA 2,751,858; CA 2,769,801; CA 2,865,824.

ENGINEERED MASONRY CONNECTORS
 FERRO CORPORATION
 10000 15th Avenue, Suite 200, Denver, CO 80231
 303.755.4300 • Fax: 303.755.4301
 www.ferroconnectors.com • info@ferroconnectors.com

DATE: 01/03/01	REV:	DRAWING NO.:	FERRO -1.04
SCALE: 1/2" = 1'-0"			



PREPARED FOR:

Copyright © 2021 FERRO Corporation
 THESE DRAWINGS HAVE BEEN PREPARED FOR THE SOLE PURPOSE OF
 REFERENCE FOR CUSTOMER CONTRACTOR AND DESIGN
 PROFESSIONAL (STRUCTURAL ENGINEER/ARCHITECT). ALL RIGHTS
 RESERVED. ALL WORKS CONTAINED HEREIN ARE OWNED BY FERRO
 CORPORATION AND PATENT PROTECTED. MANUFACTURE IS NOT PERMITTED
 BY ANY PARTY OTHER THAN FERRO CORPORATION.

THESE DRAWINGS ARE PROVIDED FOR INFORMATIONAL PURPOSES ONLY.
 WHILE EVERY EFFORT IS MADE TO ENSURE ACCURACY, FERRO DOES NOT
 TAKE ANY RESPONSIBILITY FOR THE ACCURACY OF THESE DRAWINGS.
 THE BUYER/CONTRACTOR AND DESIGN PROFESSIONAL
 (ENGINEER/ARCHITECT) HAS PRIMARY RESPONSIBILITY TO REVIEW THESE
 DRAWINGS TO ENSURE DRAWINGS CONFORM TO THE APPLICABLE DESIGN
 SPECIFICATIONS AND REQUIREMENTS. ALL DIMENSIONS CONTAINED HEREIN
 MUST BE VERIFIED AND APPROVED BY THE BUYER/CONTRACTOR AND THE
 ENGINEER/ARCHITECT BEFORE PURCHASE AND BEFORE CONSTRUCTION
 BEGINS. RECEIPT OF THIS DRAWING ASSUMES ALL RISK AND LIABILITY
 FOR ANY LOSSES, DAMAGES, CLAIMS OR EXPENSES RESULTING FROM THE
 USE OF THESE SHOP DRAWINGS. THE AUTHOR OF THESE DRAWINGS IS
 NOT AN INSPECTOR OR ENGINEER.

FERRO and Ferro-106 are registered trademarks of FERRO Corporation.
 Patented - US 8,440,340; US 8,440,341; US 8,455,265; US 8,534,344; CA 2
 738 486; CA 2 751 858; CA 2 769 801; CA 2 865 824.

ENGINEERED MASONRY CONNECTORS
 FERRO
 10000 Ferrocene Blvd., Houston, TX 77036-1000
 281-486-2200 Fax: 281-486-2205
 www.ferroconnectors.com info@ferroconnectors.com

DESIGN BY: [] CHECK BY: [] APPROVED BY: []

FIREWALL CONNECTOR SUPPORT DETAIL

DATE: 08.08.2021 REV: [] DRAWING NO. FERRO-1.06

SCALE: 1/2" = 1'-0"