

PREPARED FOR:

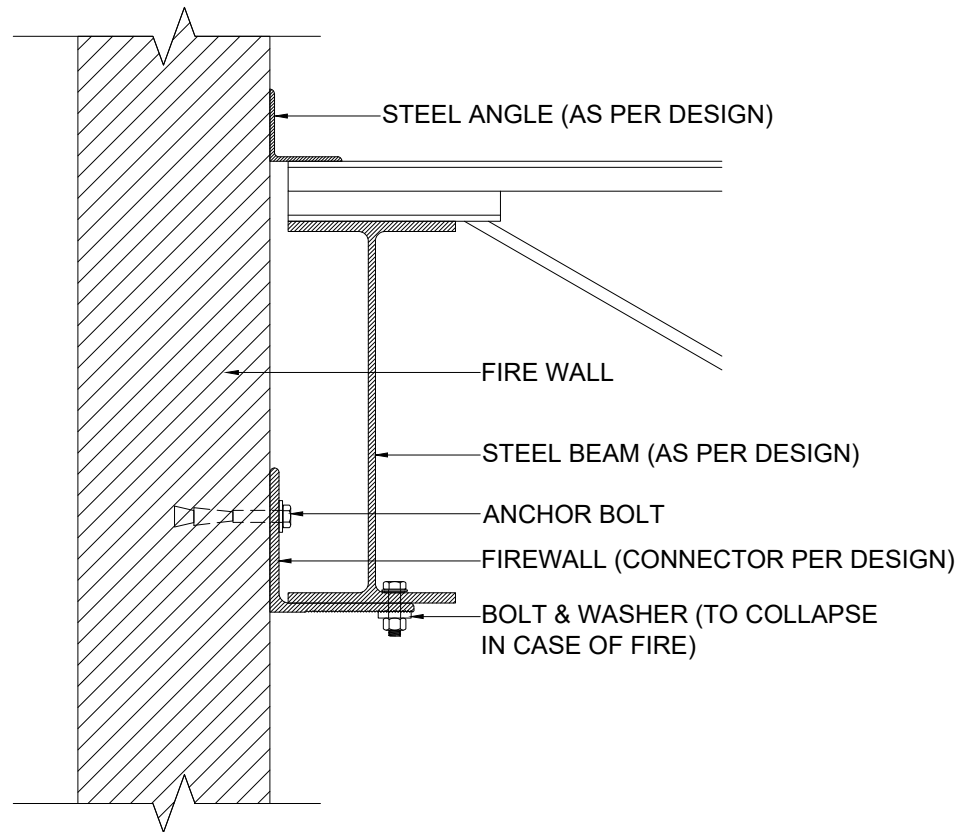
Copyright © 2001 FERRO Corporation
 THESE DRAWINGS HAVE BEEN PREPARED FOR THE SOLE PURPOSE OF REFERENCE FOR CUSTOMER CONTRACTOR AND DESIGN PROFESSIONAL (STRUCTURAL ENGINEER/ARCHITECT). ALL RIGHTS RESERVED. ALL WORKS CONTAINED HEREIN ARE OWNED BY FERRO CORPORATION AND PATENT PROTECTED. MANUFACTURE IS NOT PERMITTED BY ANY PARTY OTHER THAN FERRO CORPORATION.

THESE DRAWINGS ARE PROVIDED FOR INFORMATIONAL PURPOSES ONLY. WHILE EVERY EFFORT IS MADE TO ENSURE ACCURACY, FERRO DOES NOT TAKE ANY RESPONSIBILITY FOR THE ACCURACY OF THESE DRAWINGS. THE BUYER/CONTRACTOR AND DESIGN PROFESSIONAL (ENGINEER/ARCHITECT) HAS PRIMARY RESPONSIBILITY TO REVIEW THESE DRAWINGS TO ENSURE DRAWINGS CONFORM TO THE APPLICABLE DESIGN SPECIFICATIONS AND MEASUREMENTS. ALL DIMENSIONS CONTAINED HEREIN MUST BE VERIFIED AND APPROVED BY THE BUYER/CONTRACTOR AND THE ENGINEER/ARCHITECT BEFORE PURCHASE AND BEFORE CONSTRUCTION BEGINS. RECEIPT OF THIS DRAWING ASSUMES ALL RISK AND LIABILITY FOR ANY LOSSES, DAMAGES, CLAIMS OR EXPENSES RESULTING FROM THE USE OF THESE SHOP DRAWINGS. THE AUTHOR OF THESE DRAWINGS IS NOT AN INSPECTOR OR ENGINEER.

FERRO and Ferro-Logo are registered trademarks of FERRO Corporation.
 Patented: US 5,440,340; US 5,440,341; US 5,440,342; US 5,234,344; CA 2,738,486; CA 2,751,858; CA 2,769,801; CA 2,865,824.

ENGINEERED MASONRY CONNECTORS
 FERRO
 11700 14th Street, Fremont, CA 94538-1170
 415-702-1170 • Fax: 415-702-1171 • www.ferroconnectors.com

DESIGN BY:	CHK'D BY:	APP'D BY:
DATE: 01/01/01	REV:	DRAWING NO. FERRO-1.01
SCALE: 1/2" = 1'-0"		



PREPARED FOR:

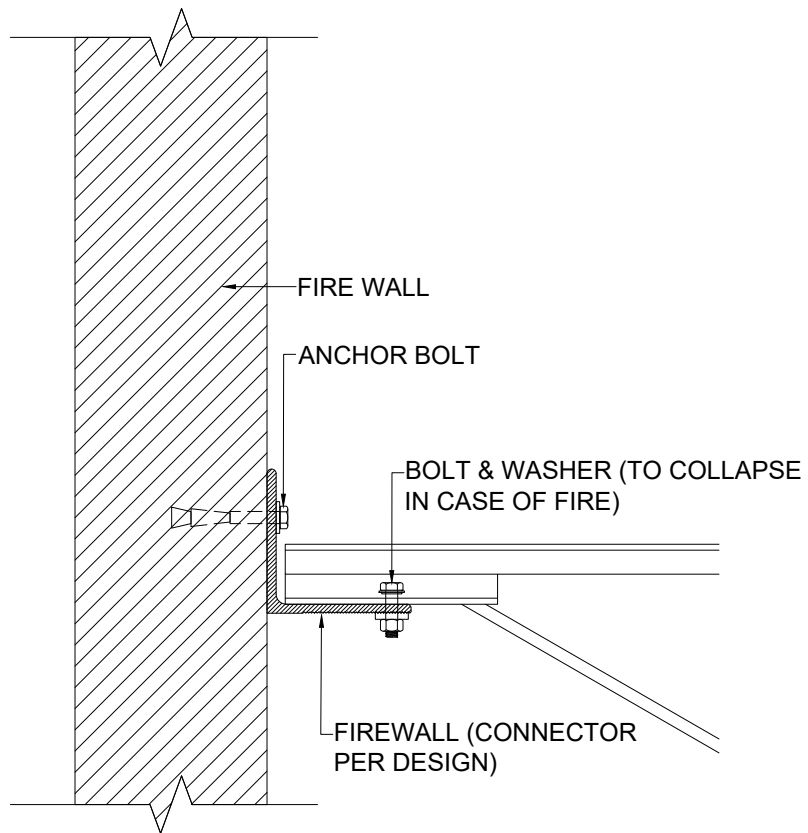
Copyright © 2001 FERRO Corporation
 THESE DRAWINGS HAVE BEEN PREPARED FOR THE SOLE PURPOSE OF REFERENCE FOR CUSTOMER CONTRACTOR AND DESIGN PROFESSIONAL (STRUCTURAL ENGINEER/ARCHITECT). ALL RIGHTS RESERVED. ALL WORKS CONTAINED HEREIN ARE OWNED BY FERRO CORPORATION AND PATENT PROTECTED. MANUFACTURE IS NOT PERMITTED BY ANY PARTY OTHER THAN FERRO CORPORATION.

THESE DRAWINGS ARE PROVIDED FOR INFORMATIONAL PURPOSES ONLY. WHILE EVERY EFFORT IS MADE TO ENSURE ACCURACY, FERRO DOES NOT TAKE ANY RESPONSIBILITY FOR THE ACCURACY OF THESE DRAWINGS. THE BUYER/CONTRACTOR AND DESIGN PROFESSIONAL (ENGINEER/ARCHITECT) HAS PRIMARY RESPONSIBILITY TO REVIEW THESE DRAWINGS TO ENSURE DRAWINGS CONFORM TO THE APPLICABLE DESIGN SPECIFICATIONS AND MEASUREMENTS. ALL DIMENSIONS CONTAINED HEREIN MUST BE VERIFIED AND APPROVED BY THE BUYER/CONTRACTOR AND THE ENGINEER/ARCHITECT BEFORE PURCHASE AND BEFORE CONSTRUCTION BEGINS. RECEIPT OF THIS DRAWING ASSUMES ALL RISK AND LIABILITY FOR ANY LOSSES, DAMAGES, CLAIMS OR EXPENSES RESULTING FROM THE USE OF THESE SHOP DRAWINGS. THE AUTHOR OF THESE DRAWINGS IS NOT AN INSPECTOR OR ENGINEER.

FERRO and Ferro-102 are registered trademarks of FERRO Corporation.
 Patented - US 8,440,340; US 8,440,341; US 8,455,265; US 8,234,344; CA 2,738,486; CA 2,751,858; CA 2,769,801; CA 2,863,824.

ENGINEERED MASONRY CONNECTORS
FERRO
 10000 17th Avenue, Suite 200, Denver, CO 80202, USA
 303.755.4300 • Fax: 303.755.4305
www.ferroconnectors.com

DESIGN BY:	CHK'D BY:	APP'D BY:
FIREWALL CONNECTOR BEAM SUPPORT DETAIL		
DATE: 01/08/01	REV:	DRAWING NO. FERRO-1.02
SCALE: 1/2" = 1'-0"		



PREPARED FOR:

Copyright © 2001 FERRO Corporation

THESE DRAWINGS HAVE BEEN PREPARED FOR THE SOLE PURPOSE OF REFERENCE FOR CUSTOMER CONTRACTOR AND DESIGN PROFESSIONAL (STRUCTURAL ENGINEER/ARCHITECT). ALL RIGHTS RESERVED. ALL WORKS CONTAINED HEREIN ARE OWNED BY FERRO CORPORATION AND PATENT PROTECTED. MANUFACTURE IS NOT PERMITTED BY ANY PARTY OTHER THAN FERRO CORPORATION.

THESE DRAWINGS ARE PROVIDED FOR INFORMATIONAL PURPOSES ONLY. WHILE EVERY EFFORT IS MADE TO ENSURE ACCURACY, FERRO DOES NOT TAKE ANY RESPONSIBILITY FOR THE ACCURACY OF THESE DRAWINGS. THE BUYER/CONTRACTOR AND DESIGN PROFESSIONAL (ENGINEER/ARCHITECT) HAS PRIMARY RESPONSIBILITY TO REVIEW THESE DRAWINGS TO ENSURE DRAWINGS CONFORM TO THE APPLICABLE DESIGN SPECIFICATIONS AND REQUIREMENTS. ALL DIMENSIONS CONTAINED HEREIN MUST BE VERIFIED AND APPROVED BY THE BUYER/CONTRACTOR AND THE ENGINEER/ARCHITECT BEFORE PURCHASE AND BEFORE CONSTRUCTION BEGINS. RECEIPT OF THIS DRAWING ASSUMES ALL RISK AND LIABILITY FOR ANY LOSSES, DAMAGES, CLAIMS OR EXPENSES RESULTING FROM THE USE OF THESE SHOP DRAWINGS. THE AUTHOR OF THESE DRAWINGS IS NOT AN INSPECTOR OR ENGINEER.

FERRO and Ferro-Shop are registered trademarks of FERRO Corporation.

Patented - US 5,440,340; US 5,440,341; US 5,455,265; US 5,234,344; CA 2,738,486; CA 2,751,858; CA 2,769,801; CA 2,865,824.

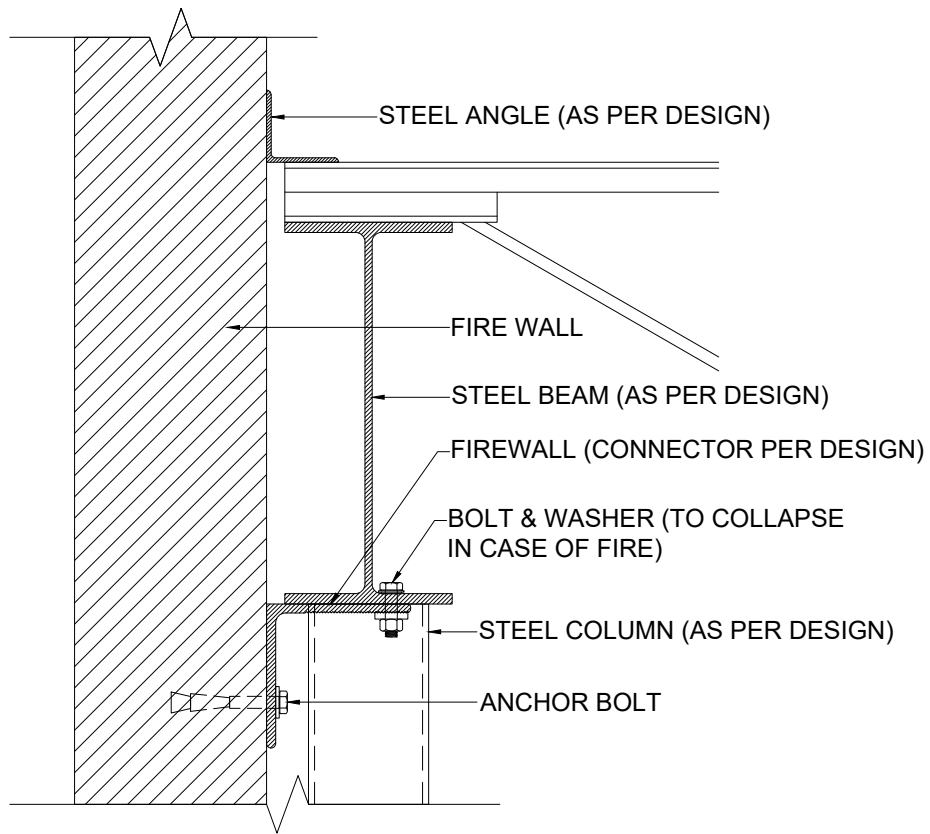
ENGINEERED MASONRY CONNECTORS
FERRO
 10000 Ferrocene Road, Ferrocene, PA 15035
 1-800-445-2266
 www.ferroconnectors.com

DRAWN BY: [] CHD. BY: [] APP'D. BY: []

FIREWALL CONNECTOR JOIST SUPPORT DETAIL

DATE: 01/03/01 REV: [] DRAWING NO. []

SCALE: 1/2" = 1'-0" FERRO -1.03



PREPARED FOR:

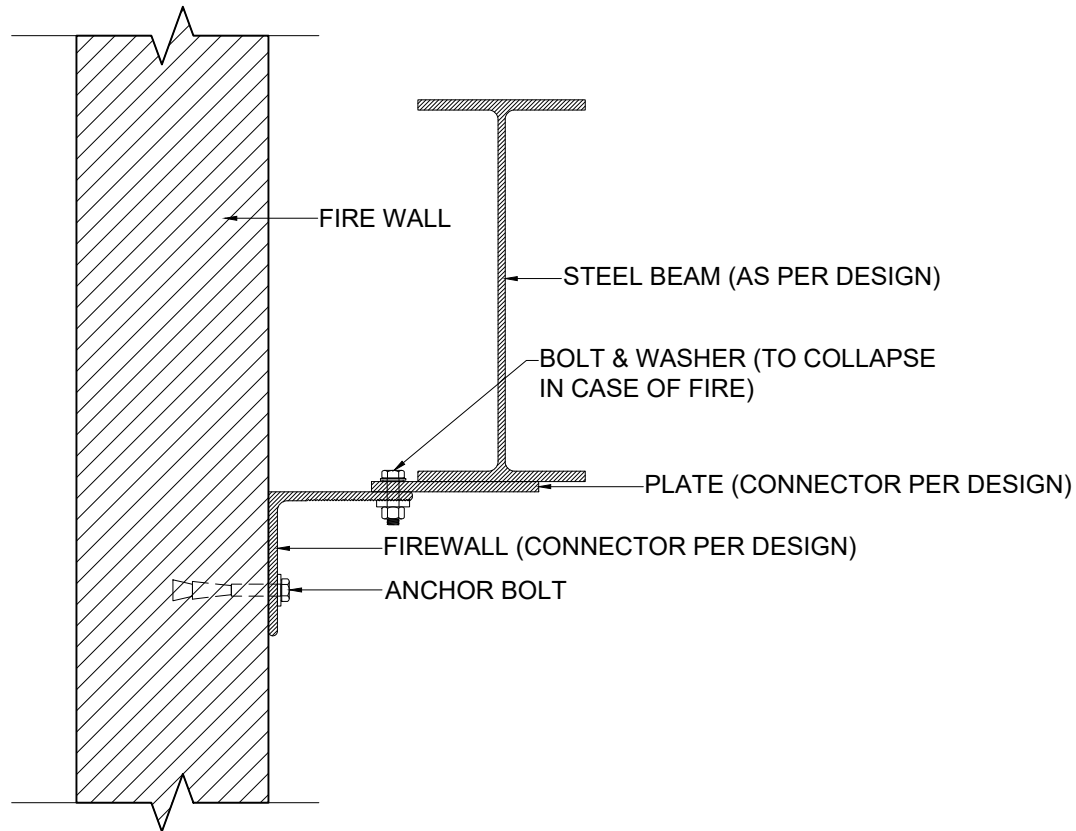
Copyright © 2001 FERRO Corporation
 THESE DRAWINGS HAVE BEEN PREPARED FOR THE SOLE PURPOSE OF REFERENCE FOR CUSTOMER CONTRACTOR AND DESIGN PROFESSIONAL (STRUCTURAL ENGINEER/ARCHITECT). ALL RIGHTS RESERVED. ALL WORKS CONTAINED HEREIN ARE OWNED BY FERRO CORPORATION AND PATENT PROTECTED. MANUFACTURE IS NOT PERMITTED BY ANY PARTY OTHER THAN FERRO CORPORATION.

THESE DRAWINGS ARE PROVIDED FOR INFORMATIONAL PURPOSES ONLY. WHILE EVERY EFFORT IS MADE TO ENSURE ACCURACY, FERRO DOES NOT TAKE ANY RESPONSIBILITY FOR THE ACCURACY OF THESE DRAWINGS. THE BUYER/CONTRACTOR AND DESIGN PROFESSIONAL (ENGINEER/ARCHITECT) HAS PRIMARY RESPONSIBILITY TO REVIEW THESE DRAWINGS TO ENSURE DRAWINGS CONFORM TO THE APPLICABLE DESIGN SPECIFICATIONS AND MEASUREMENTS. ALL DIMENSIONS CONTAINED HEREIN MUST BE VERIFIED AND APPROVED BY THE BUYER/CONTRACTOR AND THE ENGINEER/ARCHITECT BEFORE PURCHASE AND BEFORE CONSTRUCTION BEGINS. RECEIPT OF THIS DRAWING ASSUMES ALL RISK AND LIABILITY FOR ANY LOSSES, DAMAGES, CLAIMS OR EXPENSES RESULTING FROM THE USE OF THESE SHOP DRAWINGS. THE AUTHOR OF THESE DRAWINGS IS NOT AN INSPECTOR OR ENGINEER.

FERRO and Ferro-Shop/FR are registered trademarks of FERRO Corporation.
 Patented - US 8,440,340; US 8,440,341; US 8,455,265; US 8,234,344; CA 2,738,486; CA 2,751,858; CA 2,769,801; CA 2,863,824.

ENGINEERED MASONRY CONNECTORS
 FERRO CORPORATION
 10000 17th Avenue, Suite 200, Denver, CO 80231
 (303) 476-2266 Fax: (303) 476-2268
 www.ferroconnectors.com info@ferroconnectors.com

DATE: 01/01/01 REV: DRAWING NO. FERRO-1.04
 SCALE: 1/2" = 1'-0"



PREPARED FOR:

Copyright © 2001 FERRO Corporation

THESE DRAWINGS HAVE BEEN PREPARED FOR THE SOLE PURPOSE OF REFERENCE FOR CUSTOMER CONTRACTOR AND DESIGN PROFESSIONAL (STRUCTURAL ENGINEER/ARCHITECT). ALL RIGHTS RESERVED. ALL WORKS CONTAINED HEREIN ARE OWNED BY FERRO CORPORATION AND PATENT PROTECTED. MANUFACTURE IS NOT PERMITTED BY ANY PARTY OTHER THAN FERRO CORPORATION.

THESE DRAWINGS ARE PROVIDED FOR INFORMATIONAL PURPOSES ONLY. WHILE EVERY EFFORT IS MADE TO ENSURE ACCURACY, FERRO DOES NOT TAKE ANY RESPONSIBILITY FOR THE ACCURACY OF THESE DRAWINGS. THE BUYER/CONTRACTOR AND DESIGN PROFESSIONAL (ENGINEER/ARCHITECT) HAS PRIMARY RESPONSIBILITY TO REVIEW THESE DRAWINGS TO ENSURE DRAWINGS CONFORM TO THE APPLICABLE DESIGN SPECIFICATIONS AND MEASUREMENTS. ALL DIMENSIONS SHOWN MUST BE VERIFIED AND APPROVED BY THE BUYER/CONTRACTOR AND THE ENGINEER/ARCHITECT BEFORE PURCHASE AND BEFORE CONSTRUCTION BEGINS. RECEIPT OF THIS DRAWING ASSUMES ALL RISK AND LIABILITY FOR ANY LOSSES, DAMAGES, CLAIMS OR EXPENSES RESULTING FROM THE USE OF THESE SHOP DRAWINGS. THE AUTHOR OF THESE DRAWINGS IS NOT AN ARCHITECT OR ENGINEER.

FERRO and Ferro-Shop are registered trademarks of FERRO Corporation.

Patented - US 5,449,340; US 5,460,344; US 5,455,265; US 5,234,344; CA 2,739,486; CA 2,751,858; CA 2,769,801; CA 2,865,824.

ENGINEERED MASONRY CONNECTORS
 FERRO
 10000 Ferrocene Road, Suite 100, Ferrocene, CA 94501
 (925) 436-2266 Fax: (925) 436-2268
 www.ferroconnectors.com info@ferroconnectors.com

DRAWN BY: [] CHKD. BY: [] APP'D. BY: []

FIREWALL CONNECTOR SUPPORT DETAIL

DATE: 01/01/01 REV: [] DRAWING NO. []

SCALE: 1/2" = 1'-0" FERRO-1.05