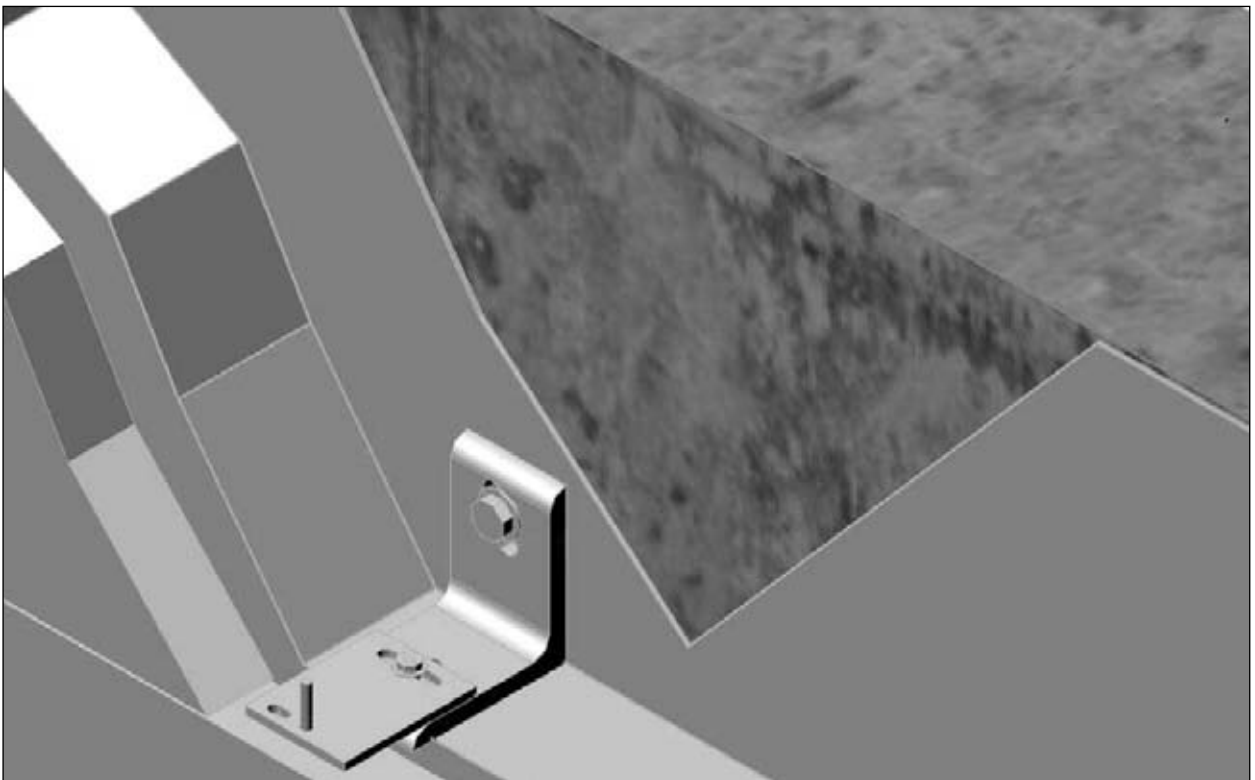
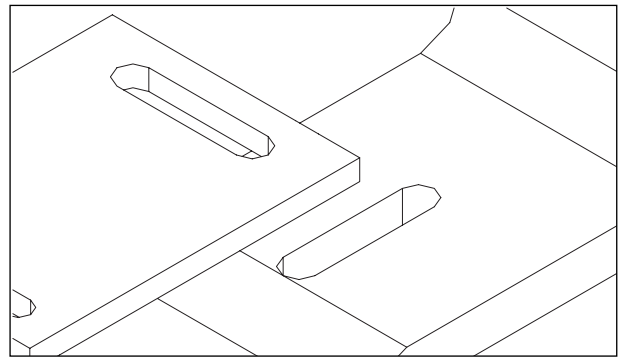
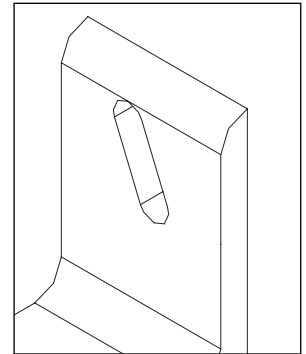
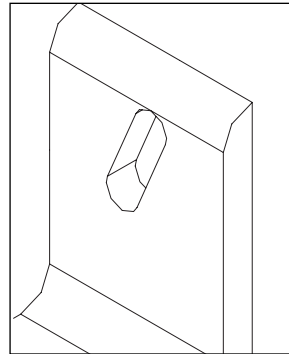
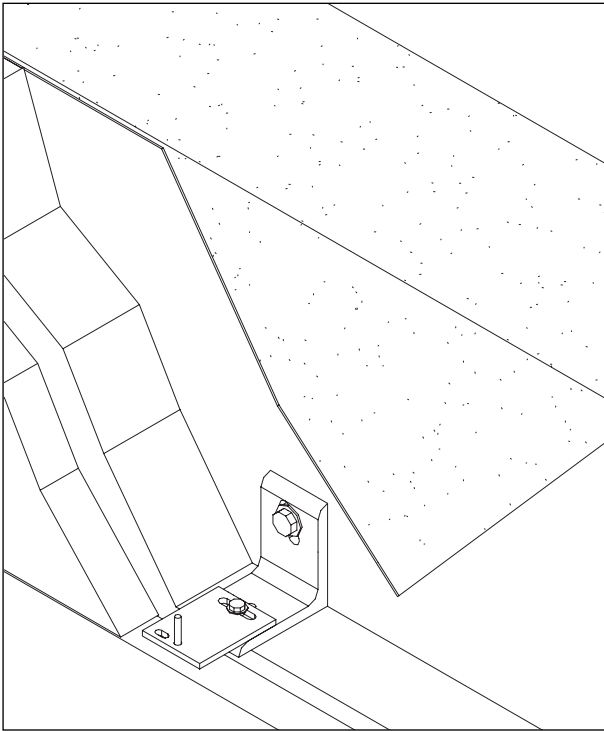
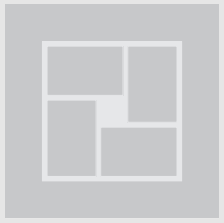


ADJUSTABLE THIN STONE VENEER SUPPORT

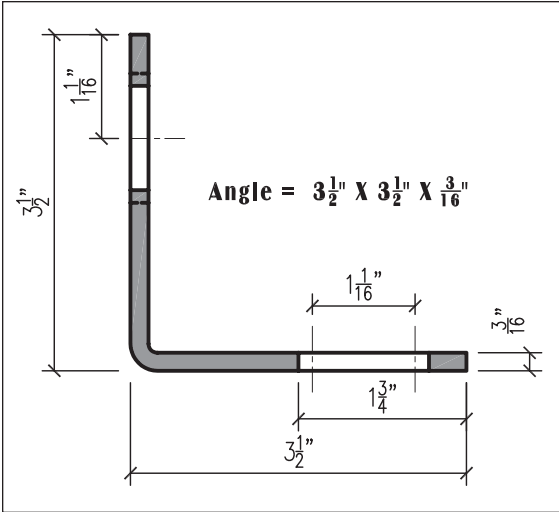


Not to Scale



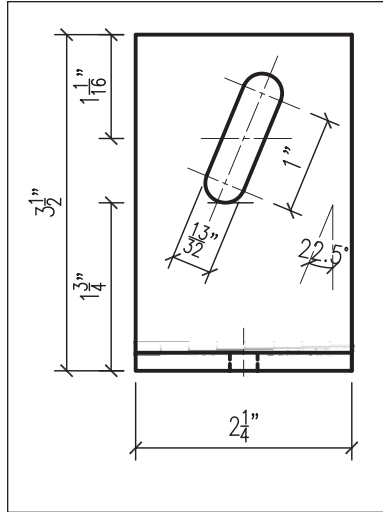
CONCRETE BACKUP WALL

Angle Details



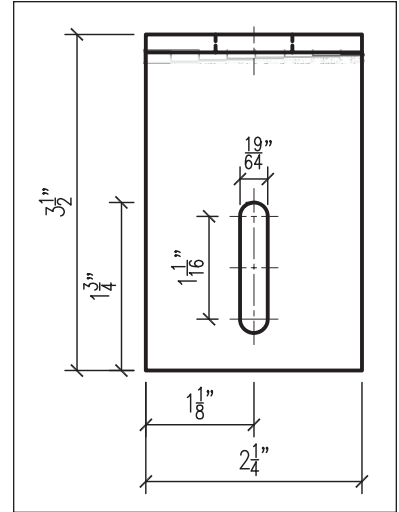
Section

Scale 6" = 1'



Elevation

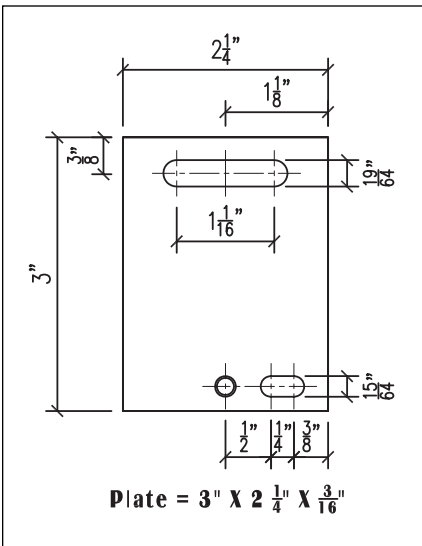
Scale 6" = 1'



Plan

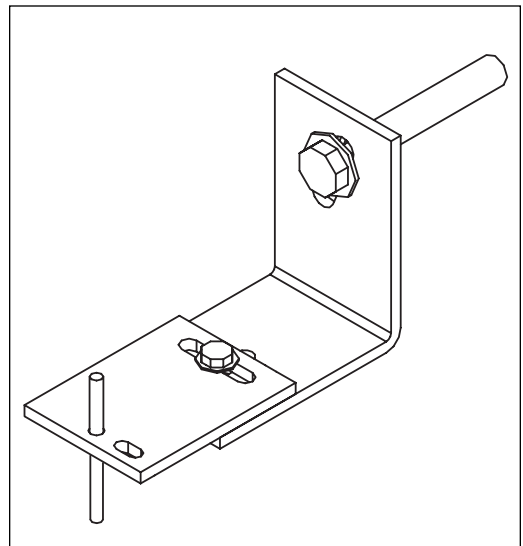
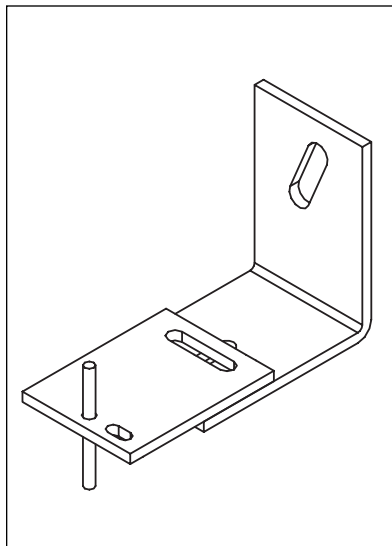
Scale 6" = 1'

Plate Details



Plan

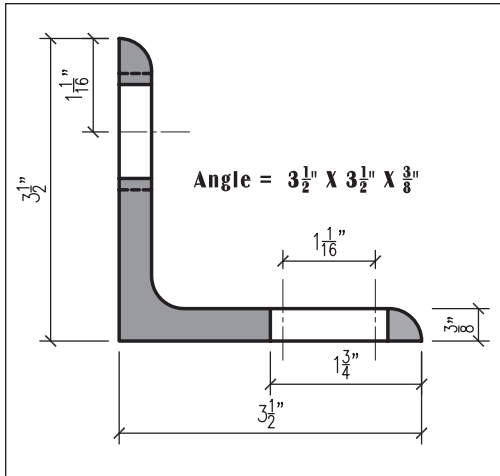
Scale 6" = 1'





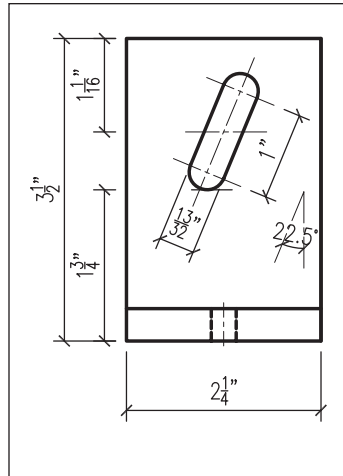
Not to Scale

Angle Details



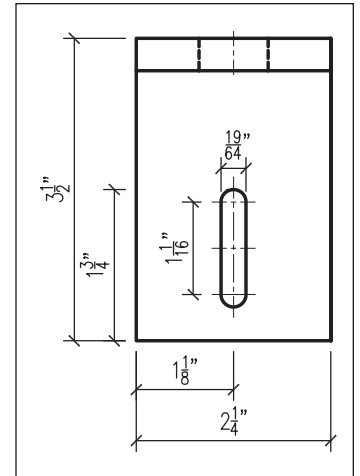
Section

Scale 6" = 1'



Elevation

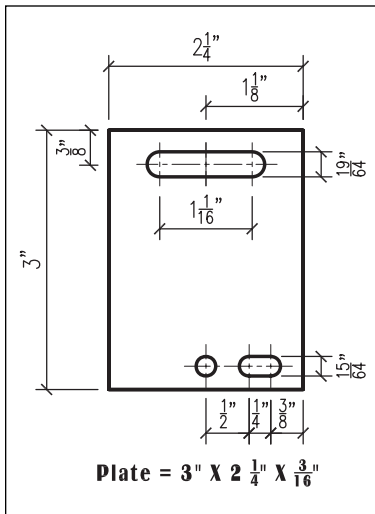
Scale 6" = 1'



Plan

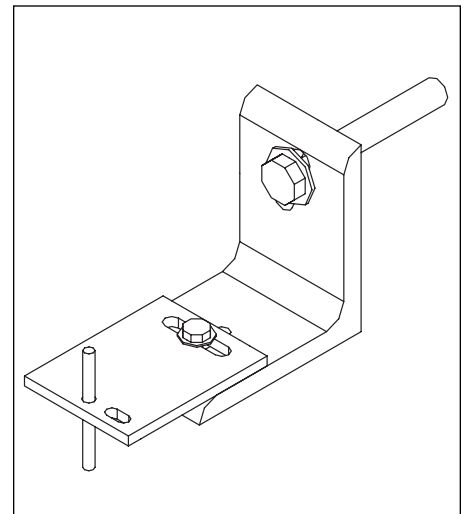
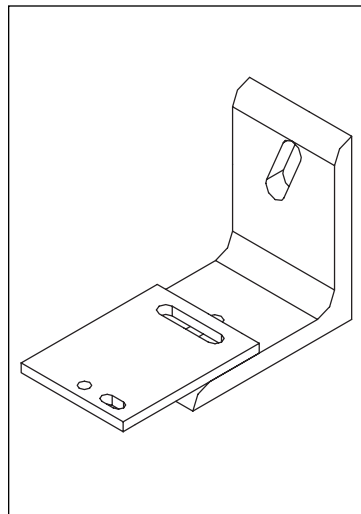
Scale 6" = 1'

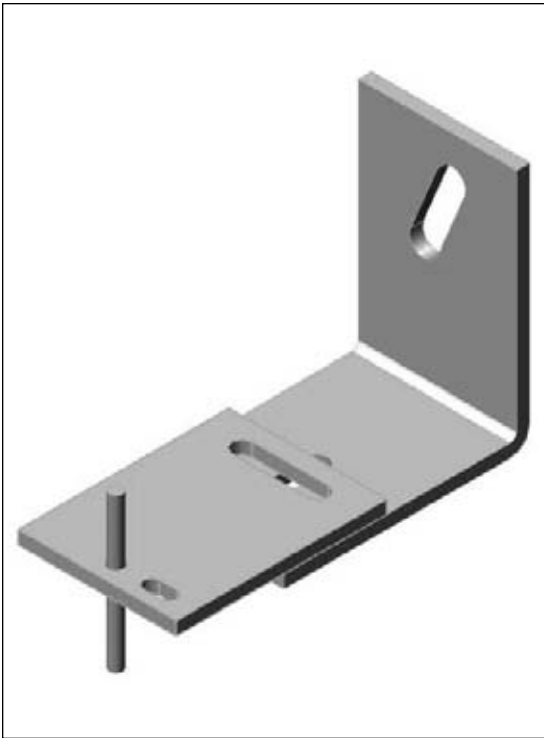
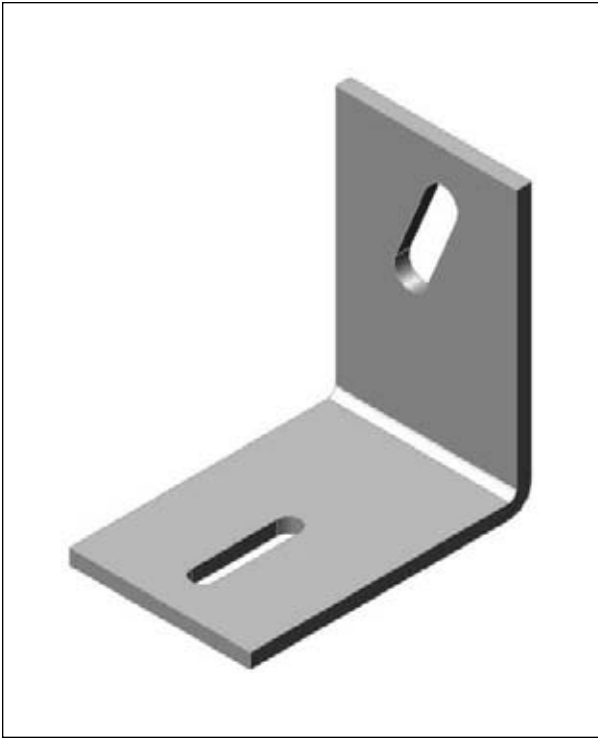
Plate Details



Plan

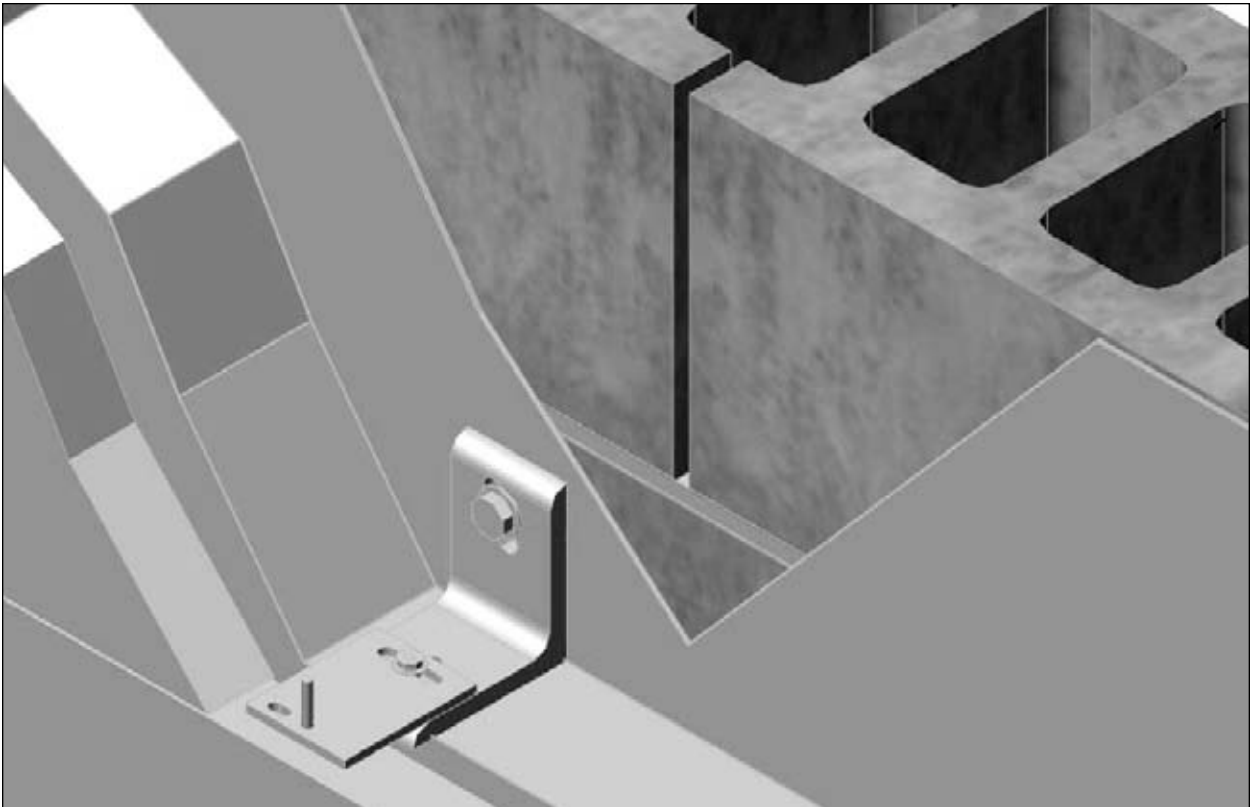
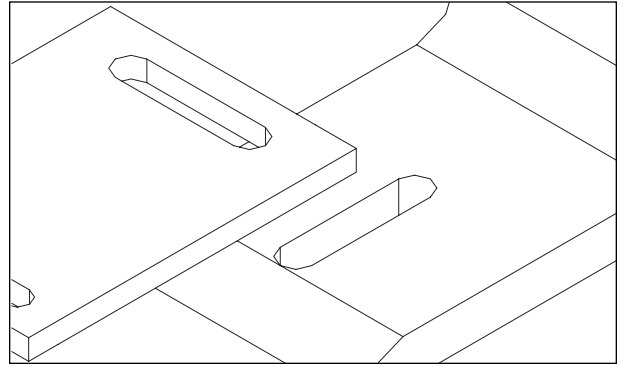
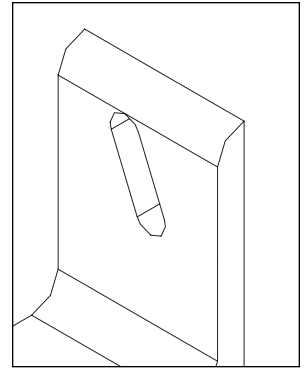
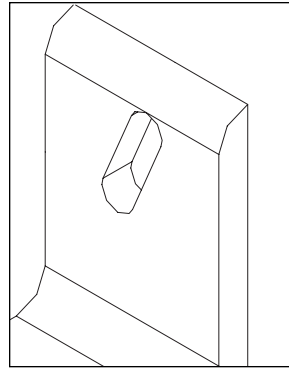
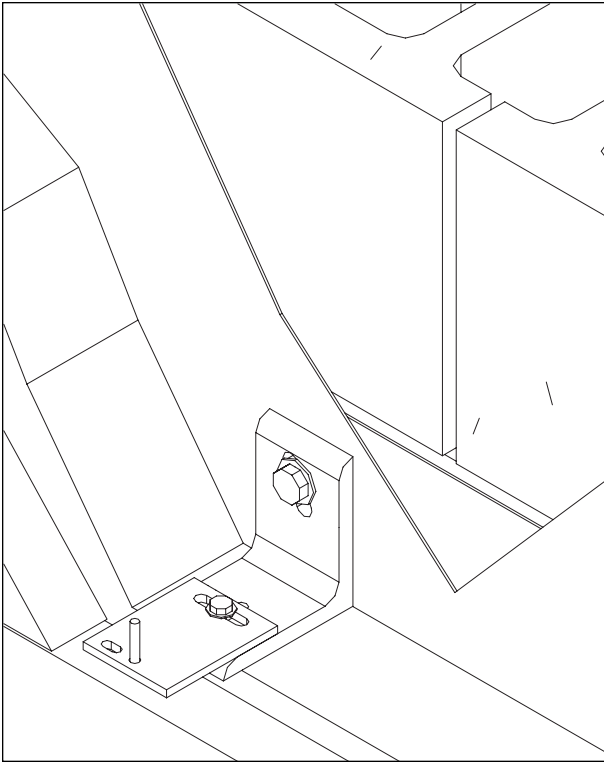
Scale 6" = 1'





Not to Scale

ADJUSTABLE THIN STONE VENEER SUPPORT



FERO Corporation

15305 - 117 Avenue, Edmonton, Alberta T5M 3X4

Phone: (780) 455-5098 Fax: (780) 452-5969

www.ferocorp.com engineering@ferocorp.com

MASONRY BACKUP WALL

Not to Scale

Copyright © 2007-2021 FERO Corporation

FERO®, FERO Thermal Tie™, Rap-Tie®, FERO V-Tie™, L-Plate®, FAST®, Thermal Bracket™, FAST-FLEX™ are registered trademarks of FERO Corporation.

The FERO family of Masonry Wall Connectors, as installed, may fall within the scope of one or more issued patents or pending patent applications, according to the applicable installation type. Those patents include US 8,051,621; US 8,555,595; US 8,893,452 and corresponding Canadian Patents CA 2 566 552; CA 2 700 636; and CA 2 804 542.

The FERO FAST family of masonry supports, as installed may fall within the scope of one or more US or foreign patents or patent applications. Those patents include US 9,316,004; US 9,447,585; US 10, 323,419; US 10,294,676; 11,041,315; and other pending applications. Other US and Foreign Patents Pending.