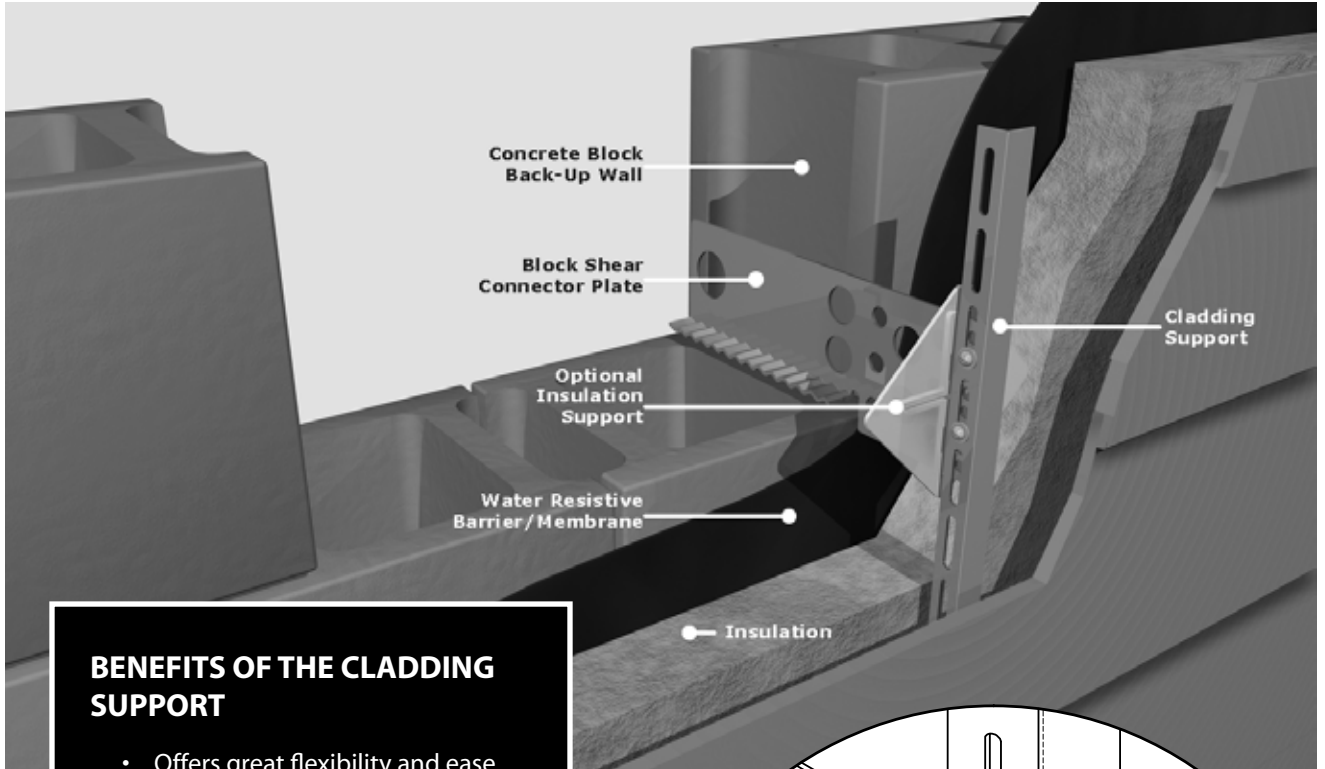
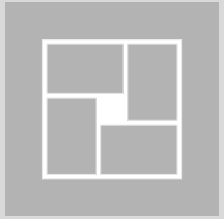


# CLADDING SUPPORT

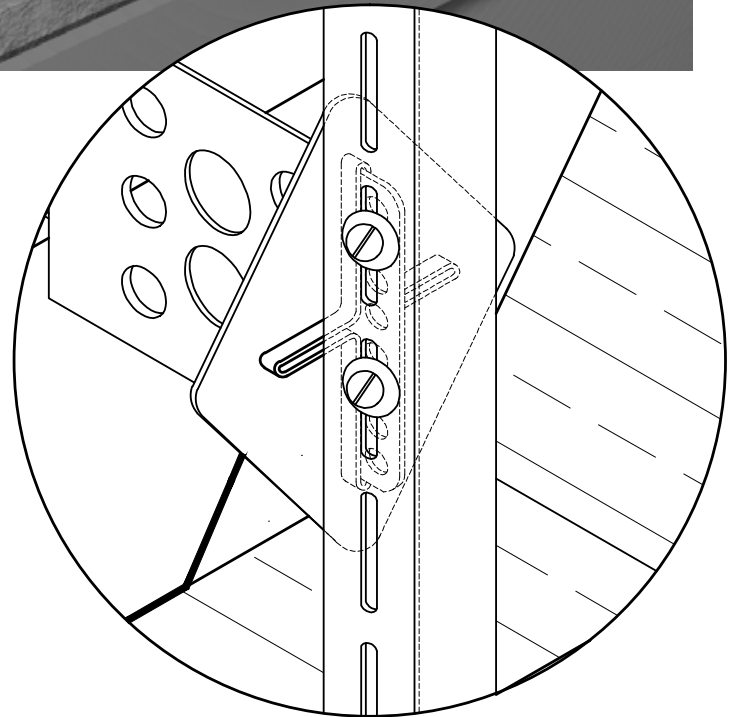
## FOR EXTERIOR INSULATED WALLS



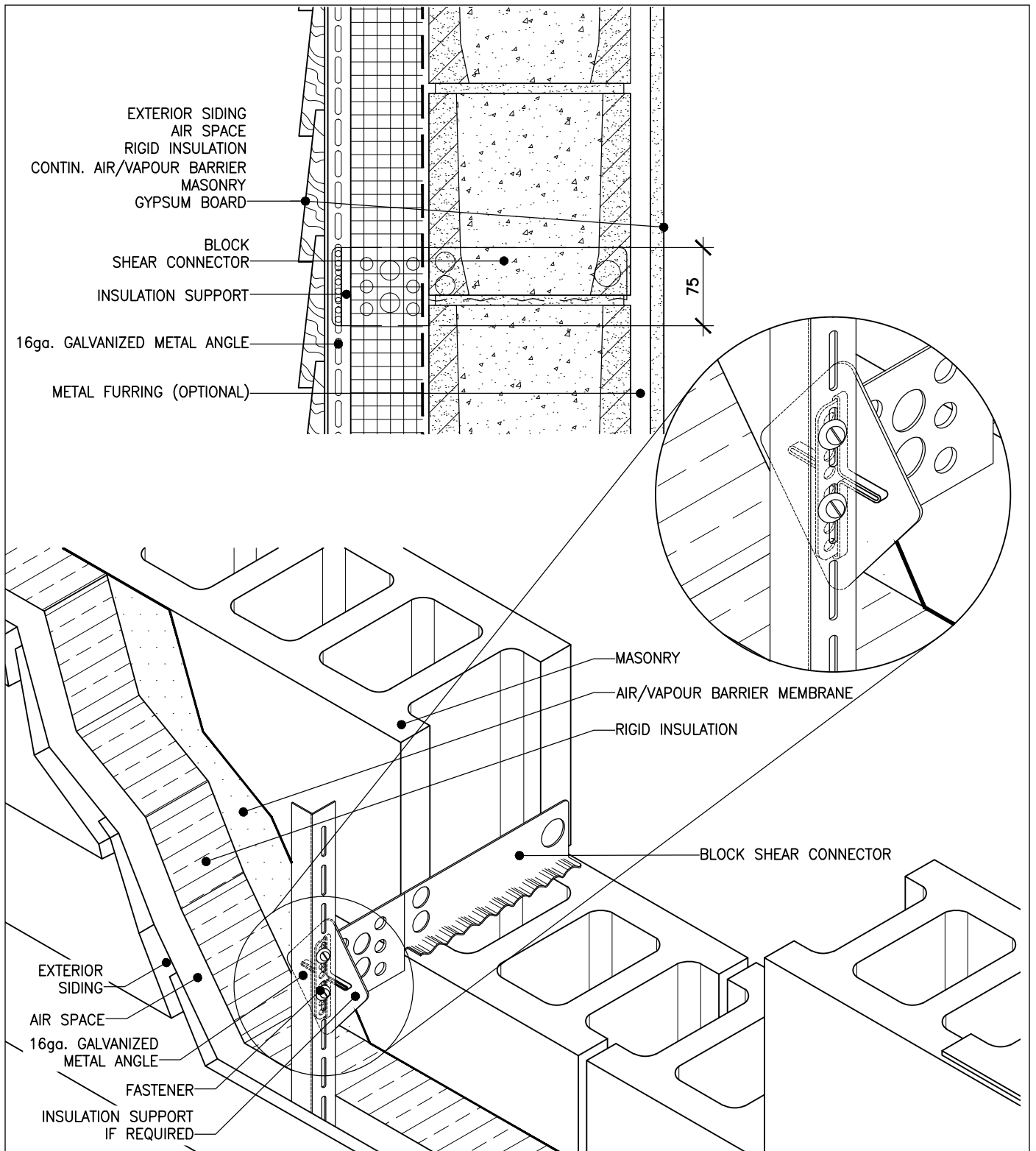
### BENEFITS OF THE CLADDING SUPPORT

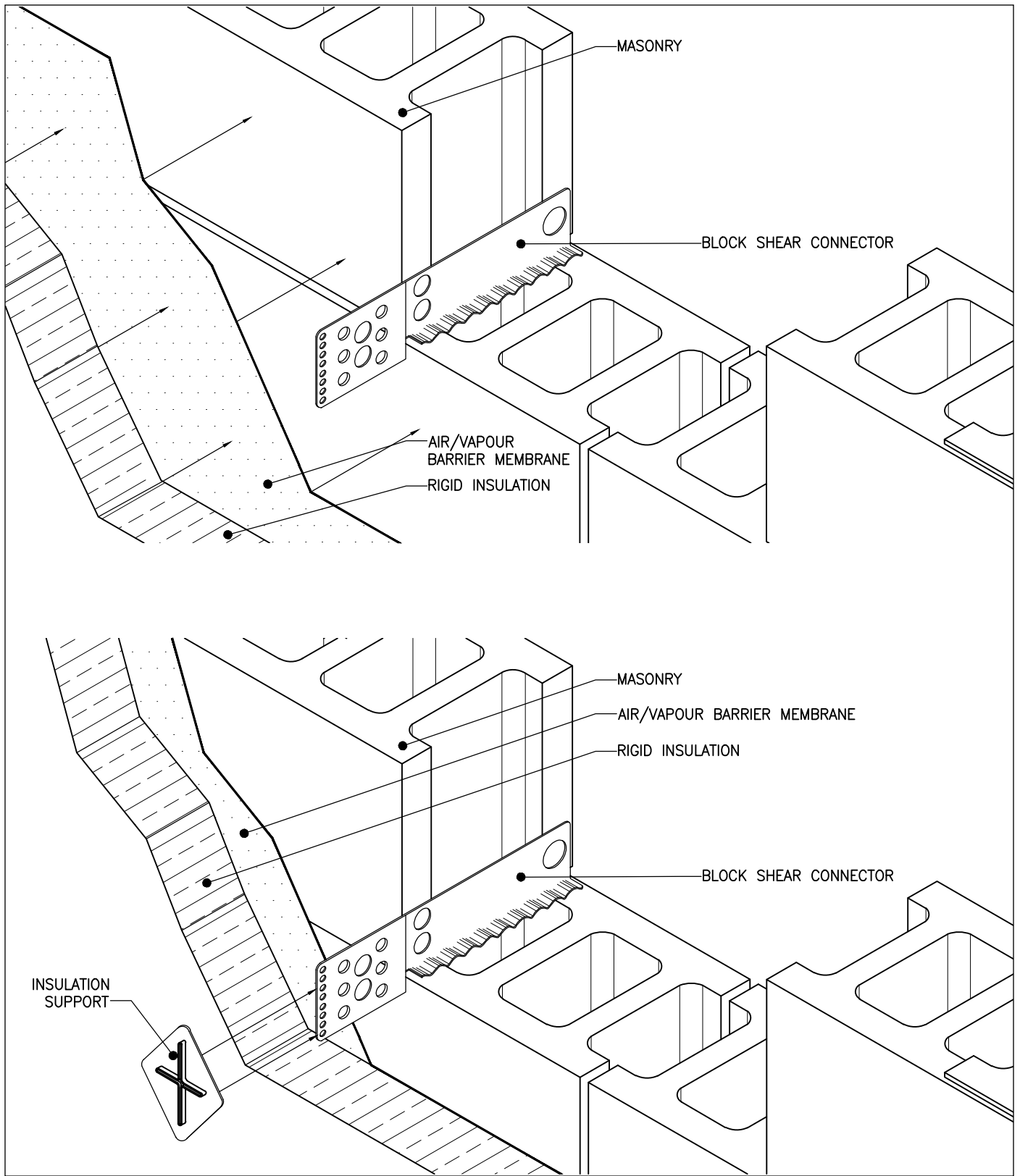
- Offers great flexibility and ease for installing a wide range of cladding systems
- Provides a rigid connection surface for cladding/siding
- Secures exterior insulation firmly in place
- Promotes moisture venting

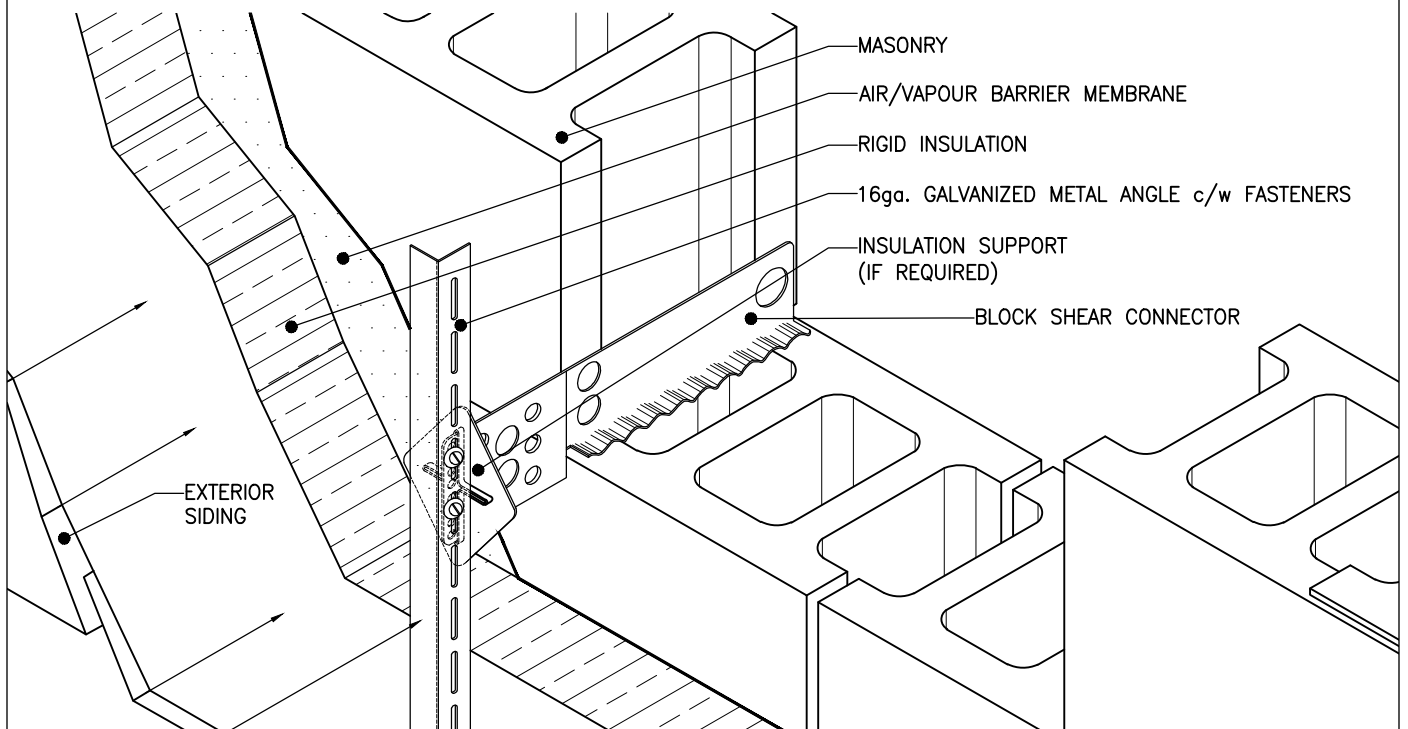
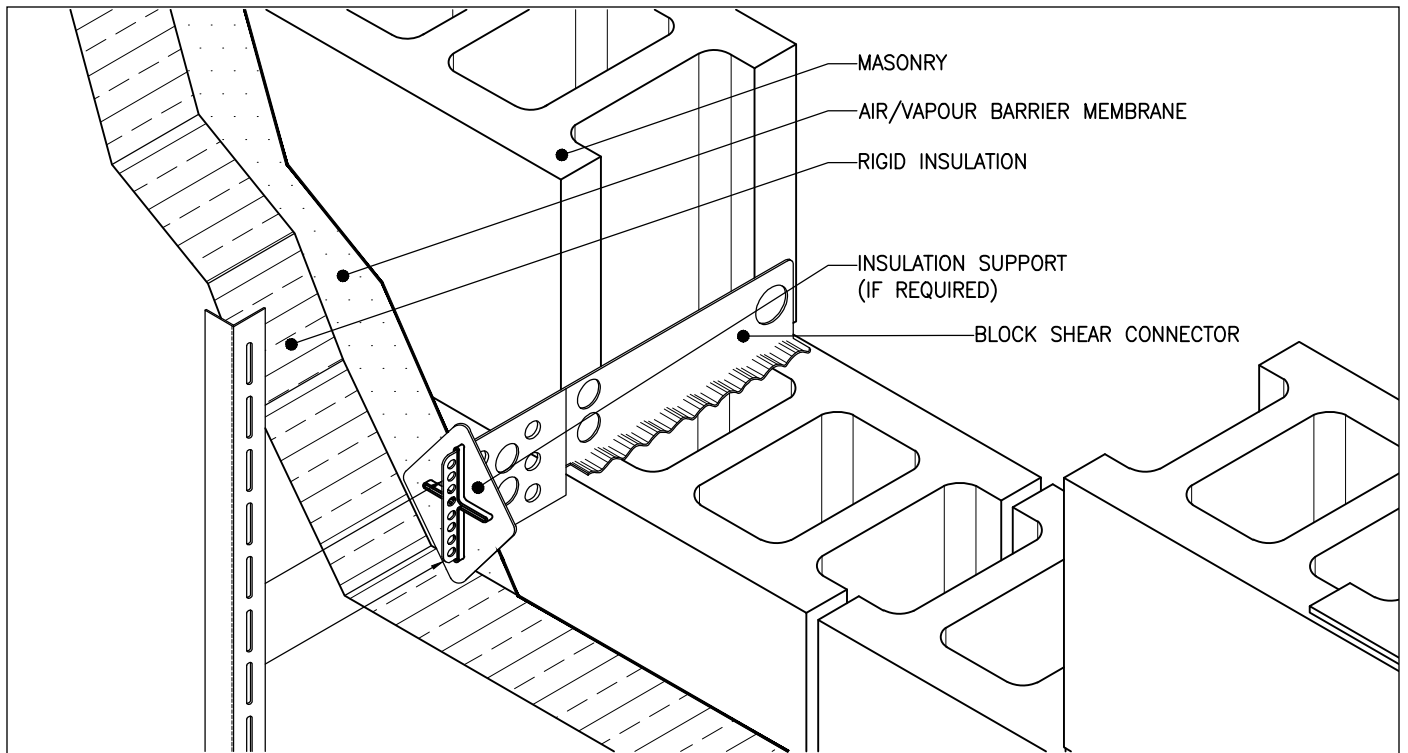
The Cladding Support for exterior insulated walls can be used with any of our holed connectors or ties to secure the rigid insulation and create an airspace between the insulation and the cladding materials.



Not to Scale

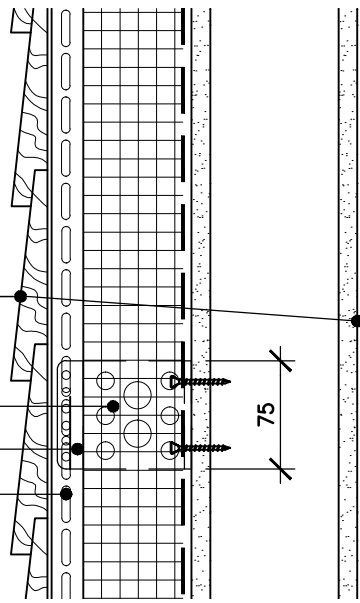






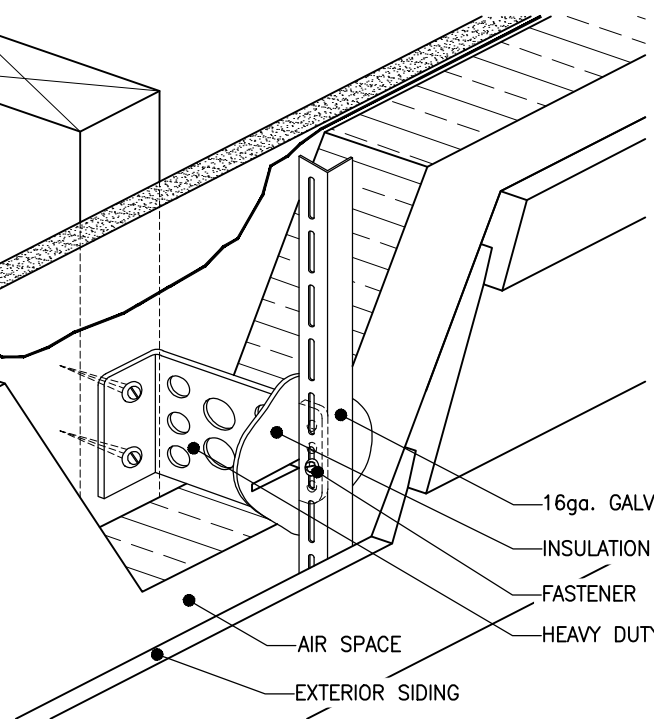
EXTERIOR SIDING  
 AIR SPACE  
 RIGID INSULATION  
 CONTIN. AIR/VAPOUR BARRIER  
 1/2" (12.7mm) SHEATHING  
 WOOD STUDS  
 GYPSUM BOARD

HEAVY DUTY RAP-TIE  
 INSULATION SUPPORT  
 16ga. GALVANIZED METAL ANGLE



WOOD STUDS  
 SHEATHING  
 AIR/VAPOUR BARRIER  
 MEMBRANE  
 RIGID INSULATION

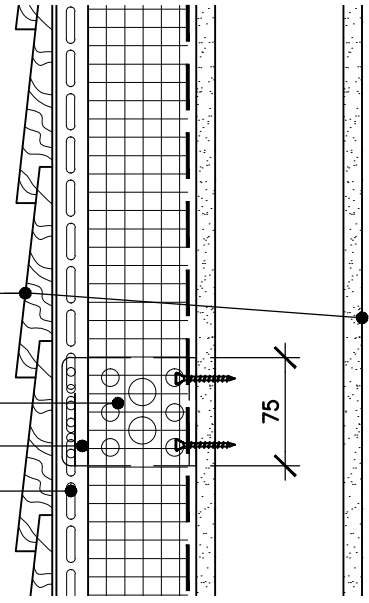
16ga. GALVANIZED  
 INSULATION SUPPO  
 FASTENER  
 HEAVY DUTY RAP-  
 AIR SPACE  
 EXTERIOR SIDING



# CLADDING SUPPORT STEEL STUD BACK-UP WALL

EXTERIOR SIDING  
 AIR SPACE  
 RIGID INSULATION  
 CONTIN. AIR/VAPOUR BARRIER  
 1/2" (12.7mm) SHEATHING  
 WOOD STUDS  
 GYPSUM BOARD

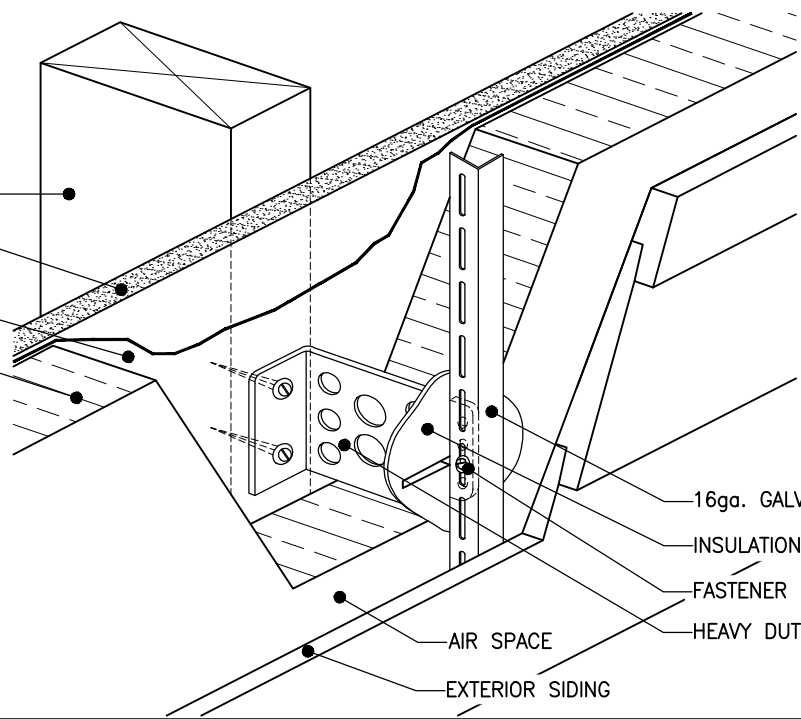
HEAVY DUTY RAP-TIE  
 INSULATION SUPPORT  
 16ga. GALVANIZED METAL ANGLE



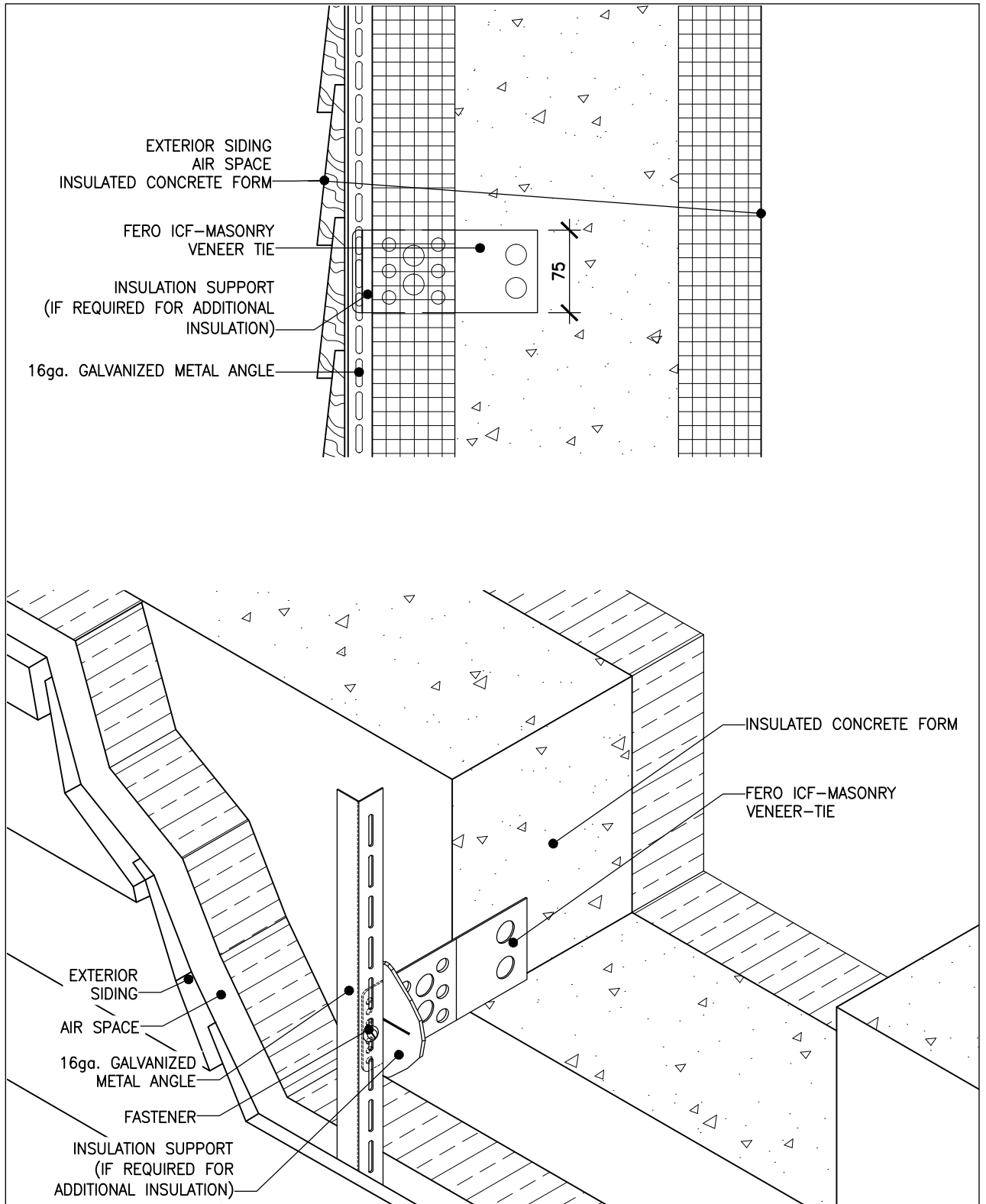
WOOD STUDS  
 SHEATHING  
 AIR/VAPOUR BARRIER  
 MEMBRANE  
 RIGID INSULATION

16ga. GALVANIZED METAL ANGLE  
 INSULATION SUPPORT IF REQUIRED  
 FASTENER  
 HEAVY DUTY RAP-TIE

AIR SPACE  
 EXTERIOR SIDING



# CLADDING SUPPORT WOOD STUD BACK-UP WALL



## CLADDING SUPPORT ICF BACK-UP WALL

**FERRO Corporation**

15305 - 117 Avenue, Edmonton, Alberta T5M 3X4  
 Phone: (780) 455-5098 Fax: (780) 452-5969  
[www.ferocorp.com](http://www.ferocorp.com) [engineering@ferocorp.com](mailto:engineering@ferocorp.com)

Copyright © 2014-2021 FERRO Corporation

FERRO®, FERRO Thermal Tie™, Rap-Tie®, Stud Shear®, FERRO V-Tie™, L-Plate® are registered trademarks of FERRO Corporation.

The FERRO family of Masonry Wall Connectors, as installed, may fall within the scope of one or more issued patents or pending patent applications, according to the applicable installation type. Those patents include US 8,051,621; US 8,555,595; US 8,893,452 and corresponding Canadian Patents CA 2 566 552; CA 2 700 636; and CA 2 804 542.