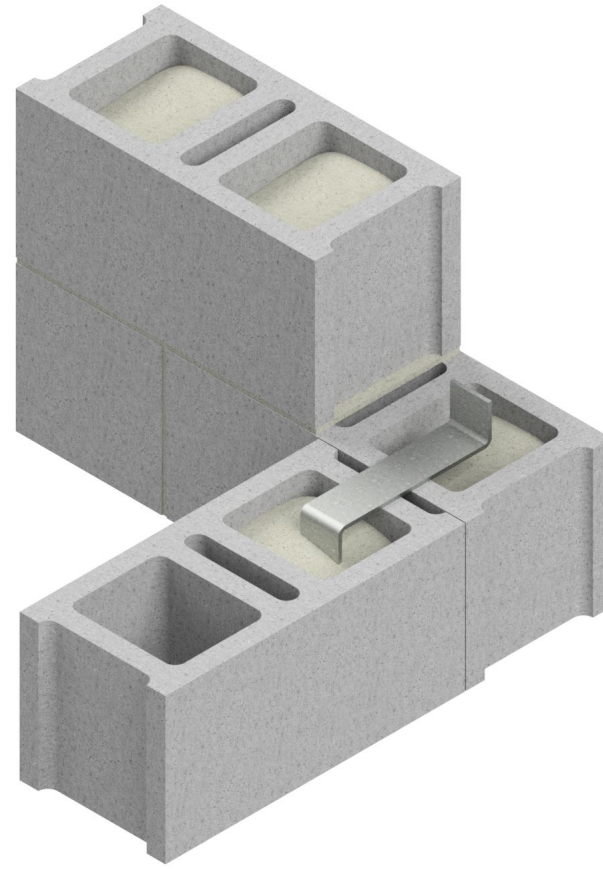
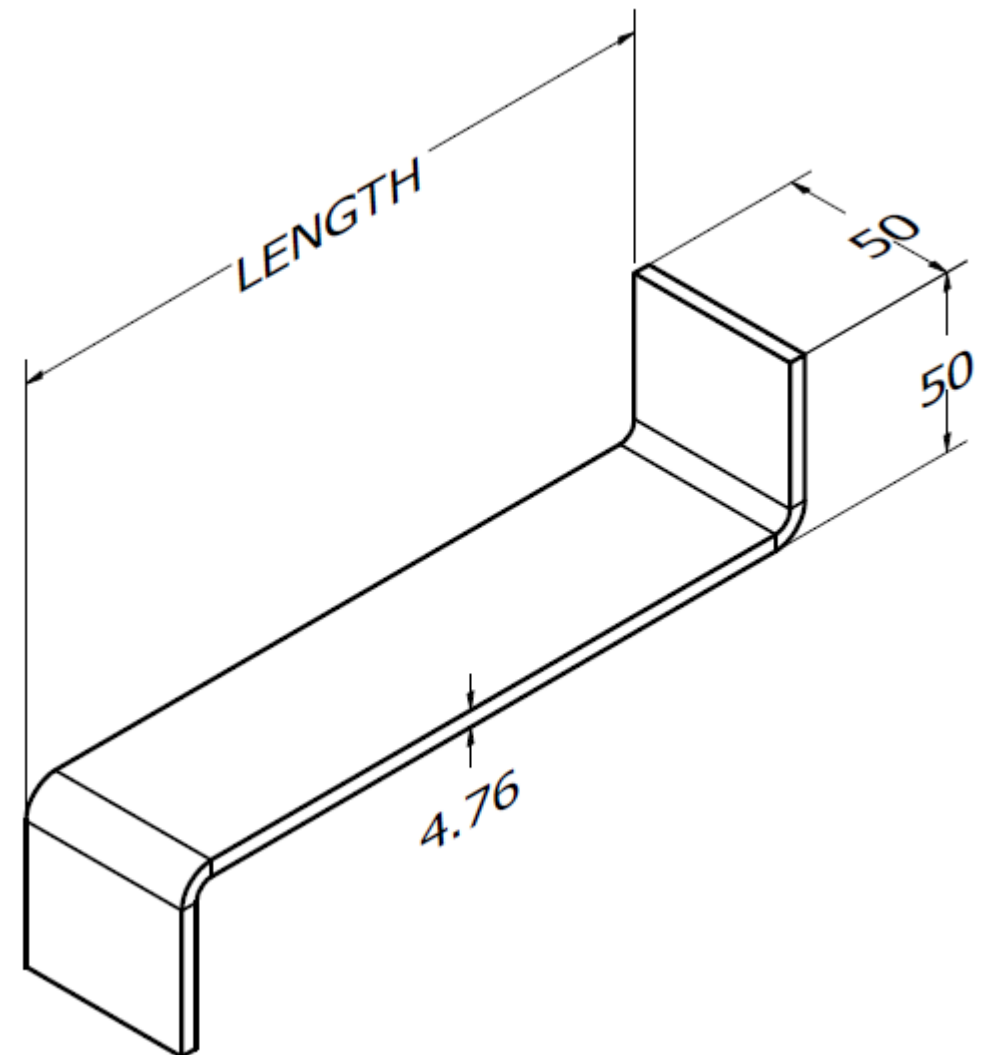


The FERO Z-Bar can be customized to any standard required to connect masonry walls to masonry walls and to other structural members. These bars provide lateral support to the top of masonry walls as well as resist wind and forces acting normal to the wall.

**FERO Z-BAR ASSEMBLY:**


ORDER FERO Z-BAR SYSTEM		
Length of Z-Bar:		<input type="checkbox"/> in <input type="checkbox"/> mm
Finish:	<input type="checkbox"/> HDG	<input type="checkbox"/> SS
# of connectors required:		



**Z-Bar:**  
Carbon Steel ASTM A36 / CSA G40.21 44W  
Stainless Steel ASTM 240 Type 304/304L

**LEED/Recycled Content:**  
Steel: 87.6% post-consumer content; 6.8% pre-consumer content  
Plastics: 100% post-consumer

All FERO products include complete documentation with descriptions, technical illustrations and images. Installation requirements and methods are clearly detailed.

Satisfies requirements of CSA A370, ACI 530.1/ ASCE 6/ TMS 602, IBC, ASTM A123, ASTM A153, Class B.