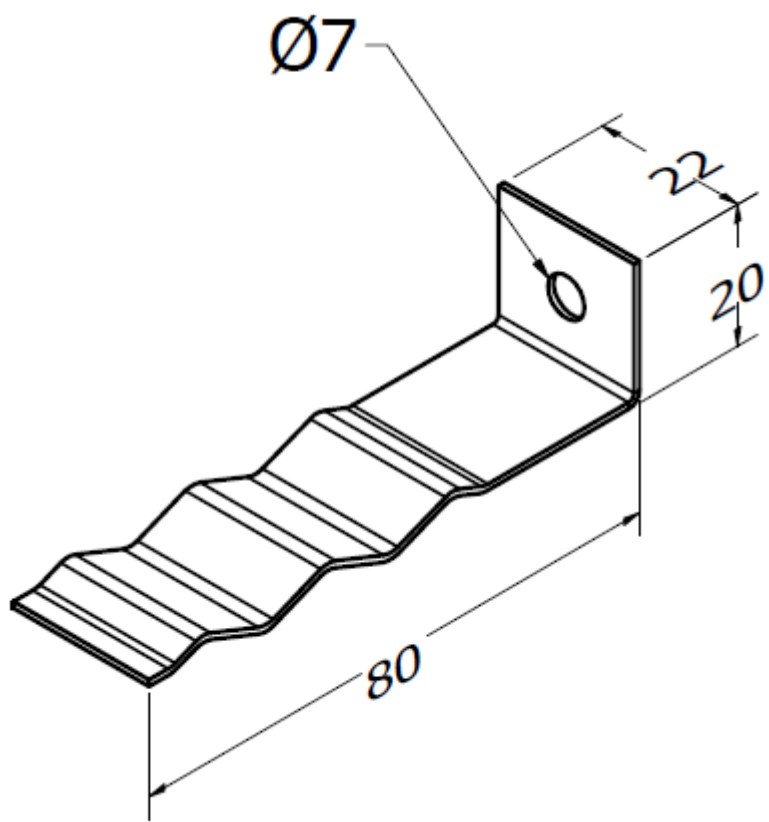


The FERRO® Prescriptive Corrugated Strip Tie connects masonry veneer to a structural backing or structural wood frame. Our angled, corrugated product is a professional level alternative for designers and builders who need the reliability of engineered products that are building standard compliant and out-perform non-compliant, non-professional grade masonry connectors currently in the marketplace. **FERO'S corrugated strip-ties are hot dip galvanized after fabrication and comply with all applicable building codes and standards.**

## FERO PRESCRIPTIVE CORRUGATED STRIP TIE SYSTEM:

### Corrugated Strip Tie

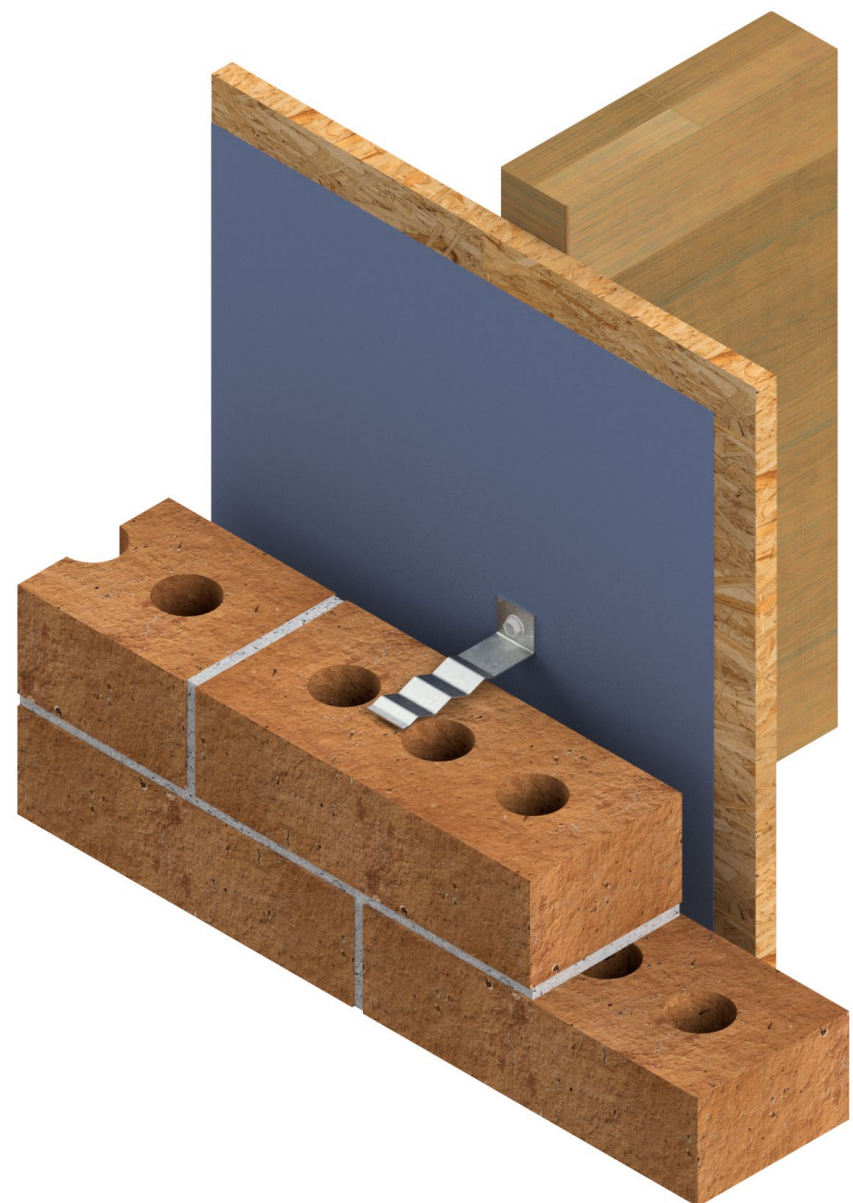
- Manufactured from sheet steel having thickness  $0.036\text{in} \pm 0.002\text{in}$  ( $0.91\text{mm} \pm 0.05\text{mm}$ ), exceeding the minimum  $0.031\text{in}$  ( $0.8\text{mm}$ ) base metal thickness required by CSA A370, "Masonry Connectors". Manufactured from sheet steel having thickness  $0.036\text{in} \pm 0.002\text{in}$  ( $0.91\text{mm} \pm 0.05\text{mm}$ ), exceeding the minimum  $0.031\text{in}$  ( $0.8\text{mm}$ ) base metal thickness required by ACI 530/ASCE 5/TMS 402. "Building Code Requirements for Masonry Structures."
- Hot dip galvanized after fabrication



### ORDER FERRO PRESCRIPTIVE CORRUGATED STRIP TIE

# of ties required:

FINISH:  HDG  SS



**Corrugated Strip Tie:**  
Carbon Steel (20 Gauge) ASTM A653/A924 SS230  
Stainless Steel (20 Gauge) ASTM 240 Type 304L

**Hot-Dip Galvanizing:**  
Min. 460 g/m<sup>2</sup>/side  
ASTM A123, ASTM A153 Class B

**LEED/Recycled Content:**  
Steel: 87.6% post-consumer content; 6.8% pre-consumer content  
Plastics: 100

All FERRO products include complete documentation with descriptions, technical illustrations and images. Installation requirements and methods are clearly detailed.

Satisfies requirements of CSA A370, ACI 530.1/ ASCE 6/ TMS 602, IBC, ASTM A123, ASTM A153, Class B. % post-consumer

