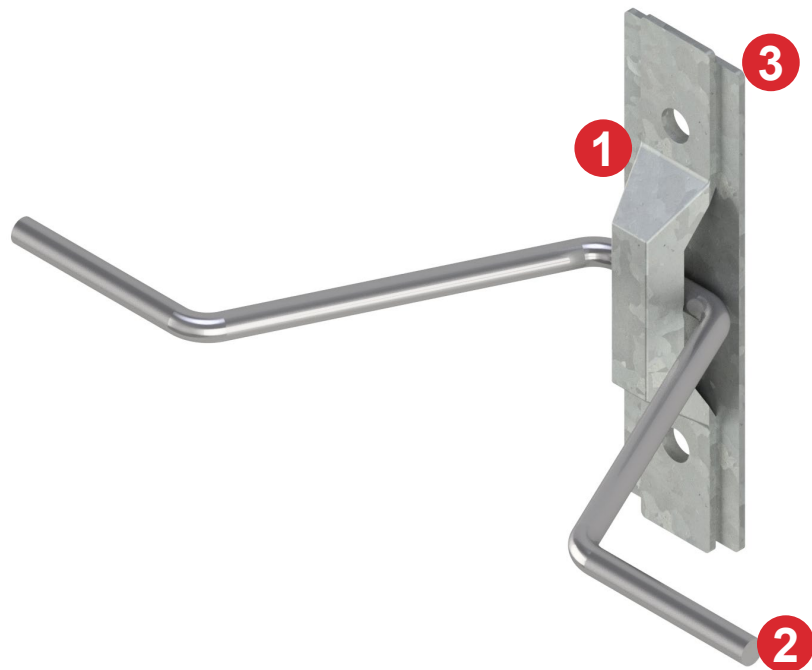
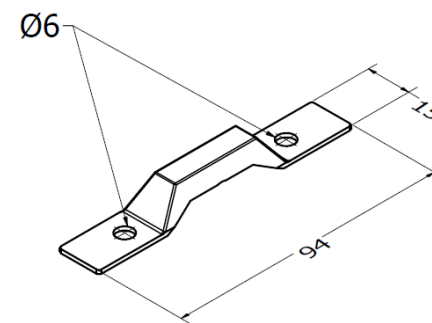


The FERRO® PAC Tie affixes exterior masonry veneer to a structural backing like wood or steel studs. PAC Ties transfer specific loads, but are not designed to resist movement vertically. This connector transfers tensile and compressive lateral loads through the V-Tie™, AB-Clip and Backer Plate application. Using a Backer Plate, the FERRO PAC Tie is well suited for wood frame construction where insulation may not be present in the assembly. It is placed directly on the sheathing that is connected to the structural backing.

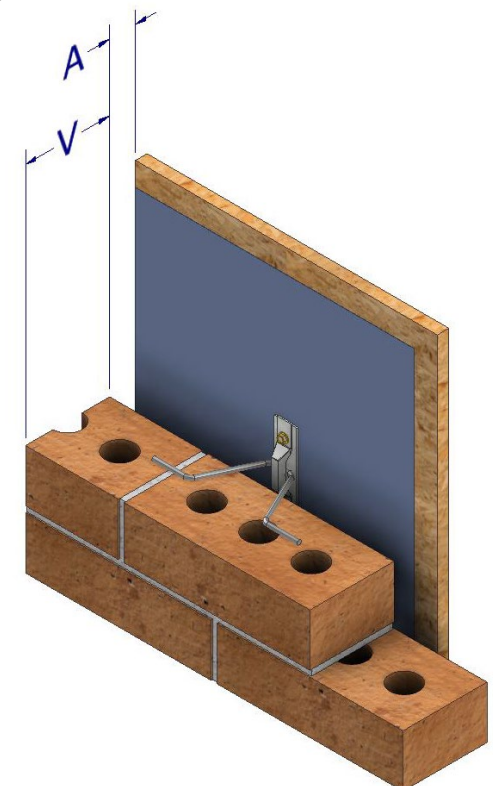
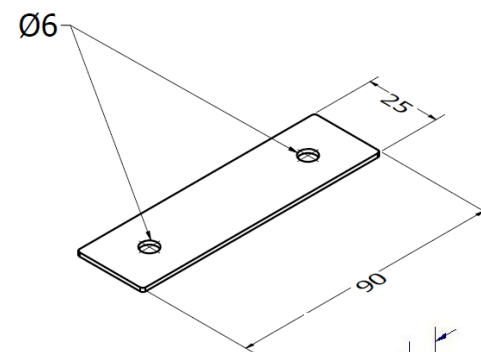
FERRO PAC TIE SYSTEM:



1. AB-Clip
 - Distributes any concentrations of load over a large area, reducing the risk of damage to wood surfaces or structural backings
 - AB-Clip is offered in one standard size and configuration



2. FERRO V-Tie™
 - Engages more mortar than any other tie
3. Backer Plate
 - Distributes any concentrations of load over a large area, reducing the risk of damage to wood surfaces or structural backings.
 - The Backer Plate is offered in one standard size and configuration



ORDER FERRO PAC TIE SYSTEM

A	Air Space		<input type="checkbox"/> in
V	Veneer Width		<input type="checkbox"/> mm
FINISH:		<input type="checkbox"/> HDG	<input type="checkbox"/> SS
# of ties required:			

AB-Clip:
Carbon Steel (16 Gauge) ASTM A653/A924 SS230
Stainless Steel (16 Gauge) ASTM 240 Type 304L

Backer Plate:
Carbon Steel (16 Gauge) ASTM A653/A924 SS230
Stainless Steel (16 Gauge) ASTM 240 Type 304L

V-Tie:
Carbon Steel (ø3/16") ASTM A82
Stainless Steel (ø3/16") ASTM A580 Type 304

Hot-Dip Galvanizing:
Min. 460 g/m²/side
ASTM A123, ASTM A153 Class B

LEED/Recycled Content:
Steel: 87.6% post-consumer content; 6.8% pre-consumer content
Plastics: 100% post-consumer

All FERRO products include complete documentation with descriptions, technical illustrations and images. Installation requirements and methods are clearly detailed.

Satisfies requirements of CSA A370, ACI 530.1/ ASCE 6/ TMS 602, IBC, ASTM A123, ASTM A153, Class B.