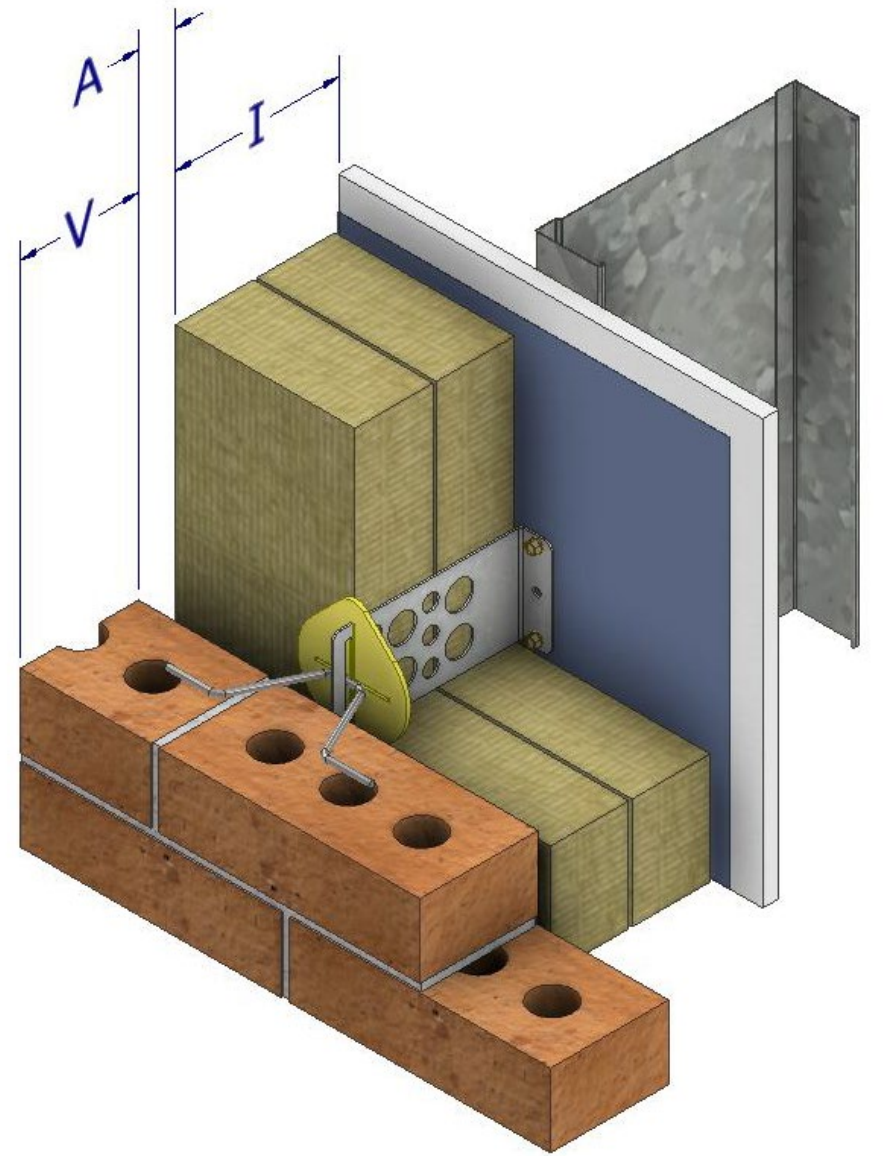
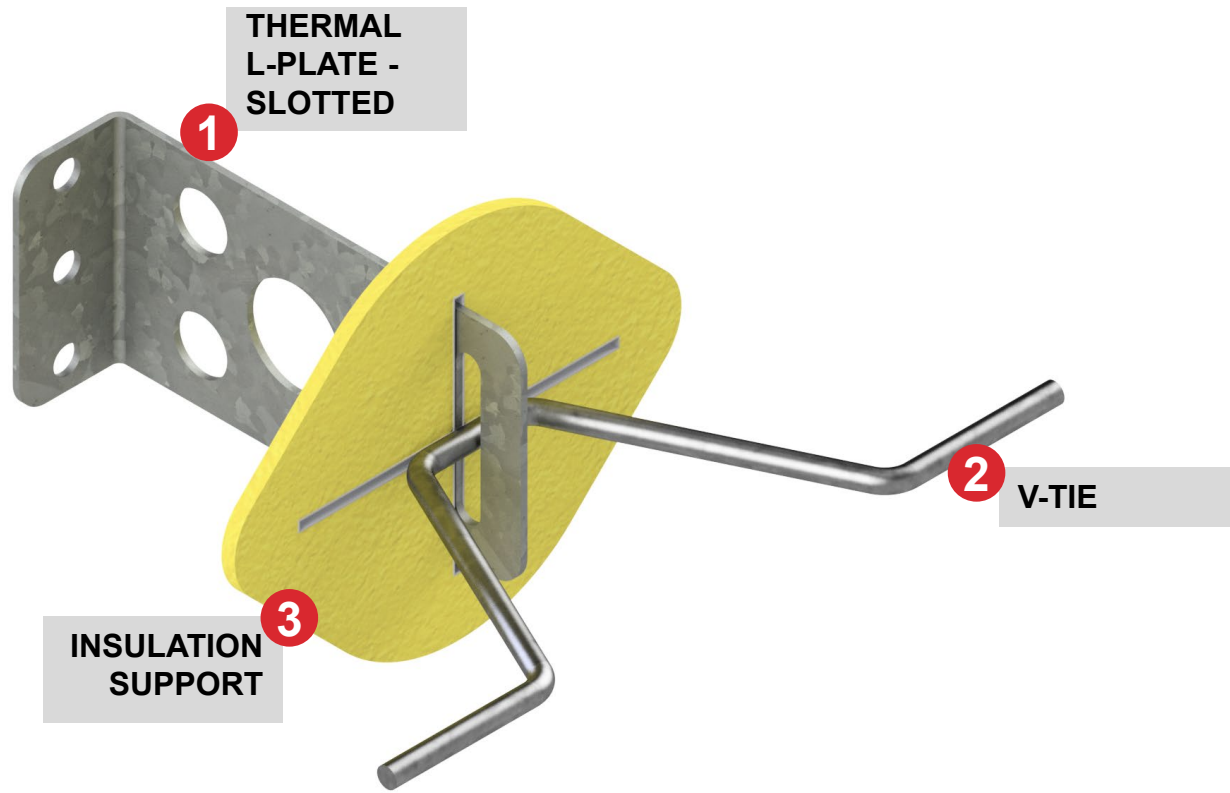


For steel stud, wood stud, concrete, or concrete block walls



SYSTEM COMPONENTS:

1. **Thermal L-Plate® Connector - Slotted**
 - Thermal holes through the body of the plate reduces thermal bridging
 - Composite action is achieved between the masonry veneer and the structural backing
2. **FERO V-Tie™**
 - Engages more mortar than any other tie
3. **Lemon Insulation Support (optional)**
 - Restrains the insulation from separating from the structural backing/air barrier

COMPONENT DIMENSIONS			
I	Insulation		<input type="checkbox"/> in
A	Air Space		<input type="checkbox"/> mm
V	Veneer Width		
FINISH:		<input type="checkbox"/> HDG	<input type="checkbox"/> SS
# of ties required:			

The FERO Thermal Tie™ - Slotted Rap-Tie® Masonry Connector is the go-to brick tie that is suitable for almost any application. Being a face-mounted thermal tie, it is quick to install and can be used on steel stud, wood stud, concrete, and concrete block walls. This tie is for lateral support of veneer. The slotted front allows for faster installation and vertical differential movement. For insulation thicknesses over 4", we recommend the FERO Thermal Tie™ - Heavy-Duty Holed Rap-Tie® Masonry Connector. All FERO masonry ties are thermally broken with holes to minimize thermal conductivity.

Fasteners not included. This tie can be customized for higher loads and larger cavities. Contact FERO for engineering services if required.

Thermal L-Plate: Carbon Steel (16 Gauge) ASTM A1011 CS Type B Stainless Steel (16 Gauge) ASTM 240 Type 304L	Hot-Dip Galvanizing: Min. 460 g/m ² /side ASTM A123, ASTM A153 Class B	All FERO products include complete documentation with descriptions, technical illustrations and images. Installation requirements and methods are clearly detailed.
V-Tie: Carbon Steel (ø3/16") ASTM A82 Stainless Steel (ø3/16") ASTM A580 Type 304	LEED/Recycled Content: Steel: 87.6% post-consumer content; 6.8% pre-consumer content Plastics: 100% post-consumer	FERO Thermal Tie™ Masonry Connectors satisfy requirements of CSA A370/ACI 530.1/ ASCE 6/ TMS 602/IBC.
Insulation Support: 100% Recycled Polyethylene		