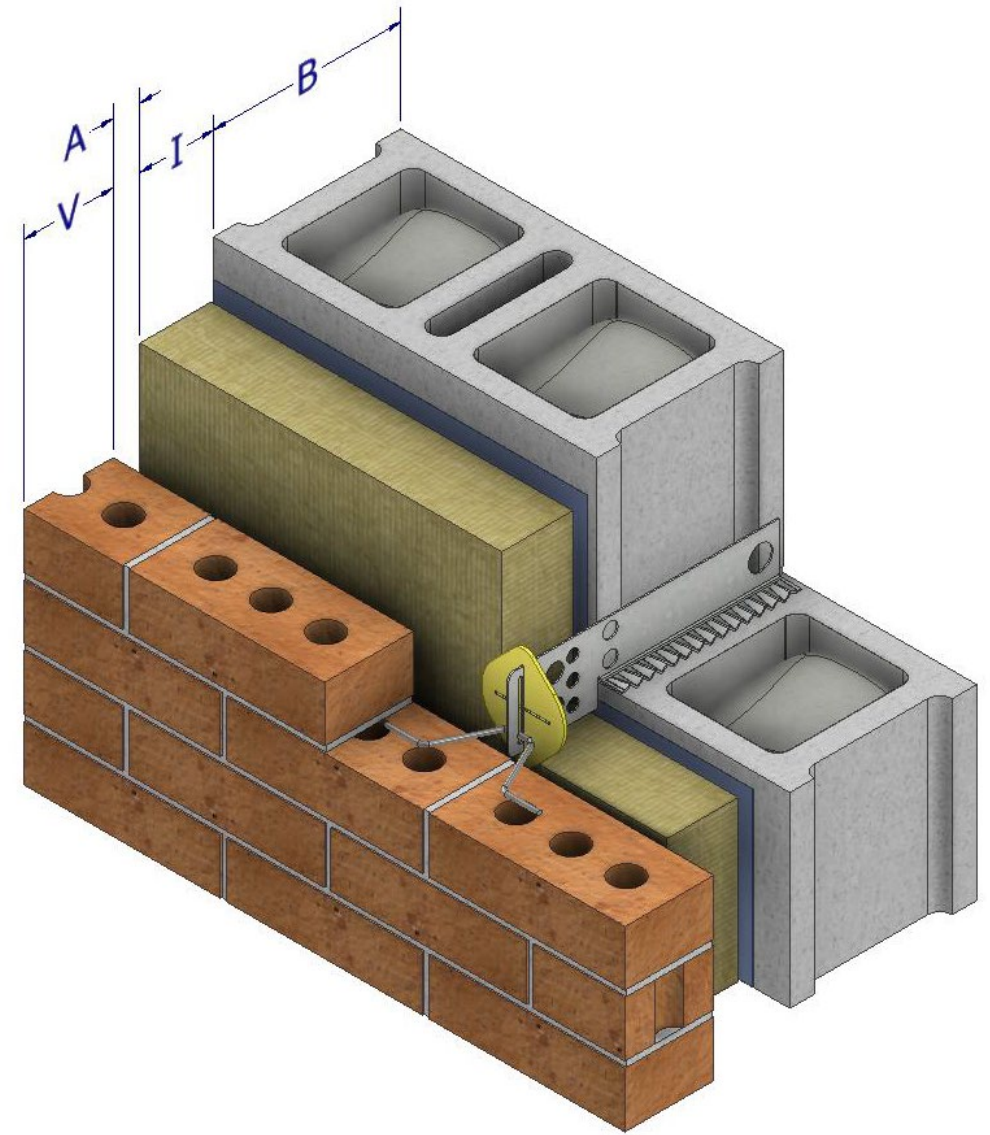
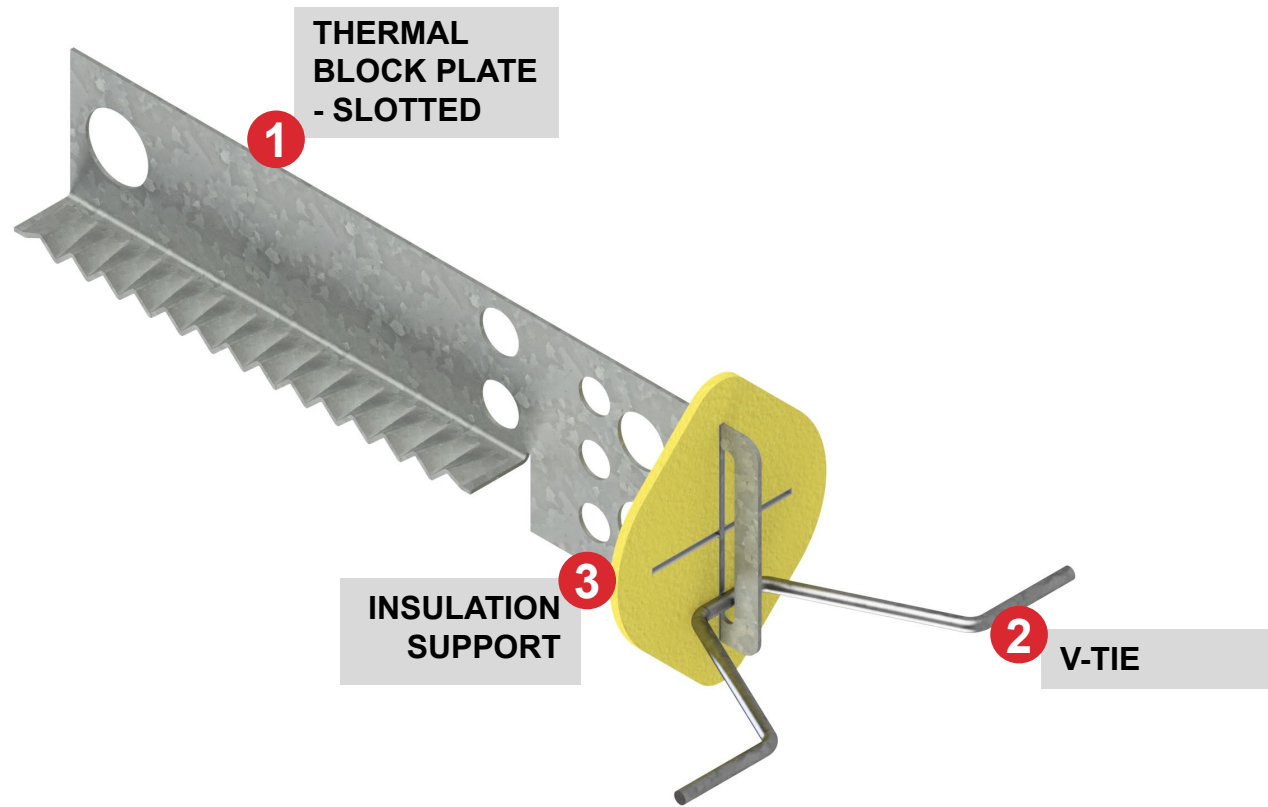


FERO Thermal Tie™ - Slotted Block (Type I) Masonry Connector

SUBMITTAL SHEET

For concrete block walls



SYSTEM COMPONENTS:

1. Thermal Block Plate - Slotted

- Thermal holes through the body of the plate reduces thermal bridging
- Composite action is achieved between the masonry veneer and the structural backing

2. FERO V-Tie™

- Engages more mortar than any other tie

3. Lemon Insulation Support (optional)

- Restrains the insulation from separating from the structural backing/air barrier

COMPONENT DIMENSIONS

B	Block Width		
I	Insulation		□ in
A	Air Space		□ mm
V	Veneer Width		
FINISH:		□ HDG	□ SS
# of ties required:			

The FERO Thermal Tie™ - Slotted Block (Type I) Masonry Connector is a high strength brick tie that is embedded in concrete block joints. FERO's Block Ties are the fastest way to install brick ties on a concrete block backup wall. This tie is for lateral support of veneer and can accommodate any cavity size. The slotted front allows for faster installation and vertical differential movement. All FERO masonry ties are thermally broken with holes to minimize thermal conductivity.

Fasteners not included. This tie can be customized for higher loads and larger cavities. Contact FERO for engineering services if required.

Thermal Block Plate:

Carbon Steel (16 Gauge) ASTM A1011 CS Type B
Stainless Steel (16 Gauge) ASTM 240 Type 304L

V-Tie:

Carbon Steel (ø3/16") ASTM A82
Stainless Steel (ø3/16") ASTM A580 Type 304

Insulation Support:

100% Recycled Polyethylene

Hot-Dip Galvanizing:

Min. 460 g/m²/side
ASTM A123, ASTM A153 Class B

LEED/Recycled Content:

Steel: 87.6% post-consumer content; 6.8% pre-consumer content
Plastics: 100% post-consumer

All FERO products include complete documentation with descriptions, technical illustrations and images. Installation requirements and methods are clearly detailed.

FERO Thermal Tie™ Masonry Connectors satisfy requirements of CSA A370/ACI 530.1/ ASCE 6/ TMS 602/IBC.