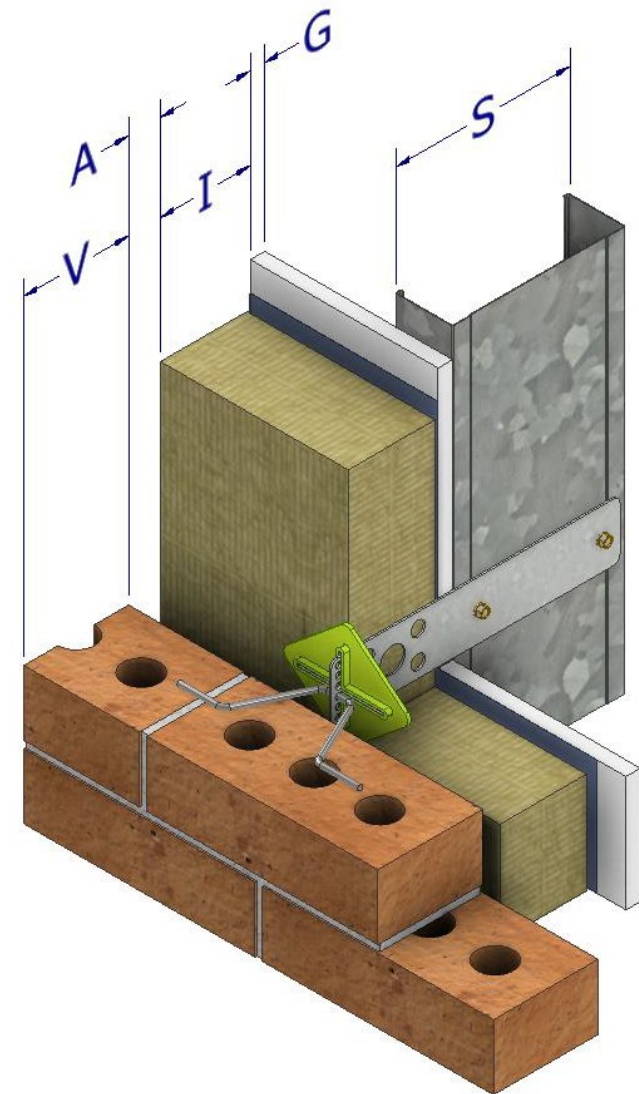
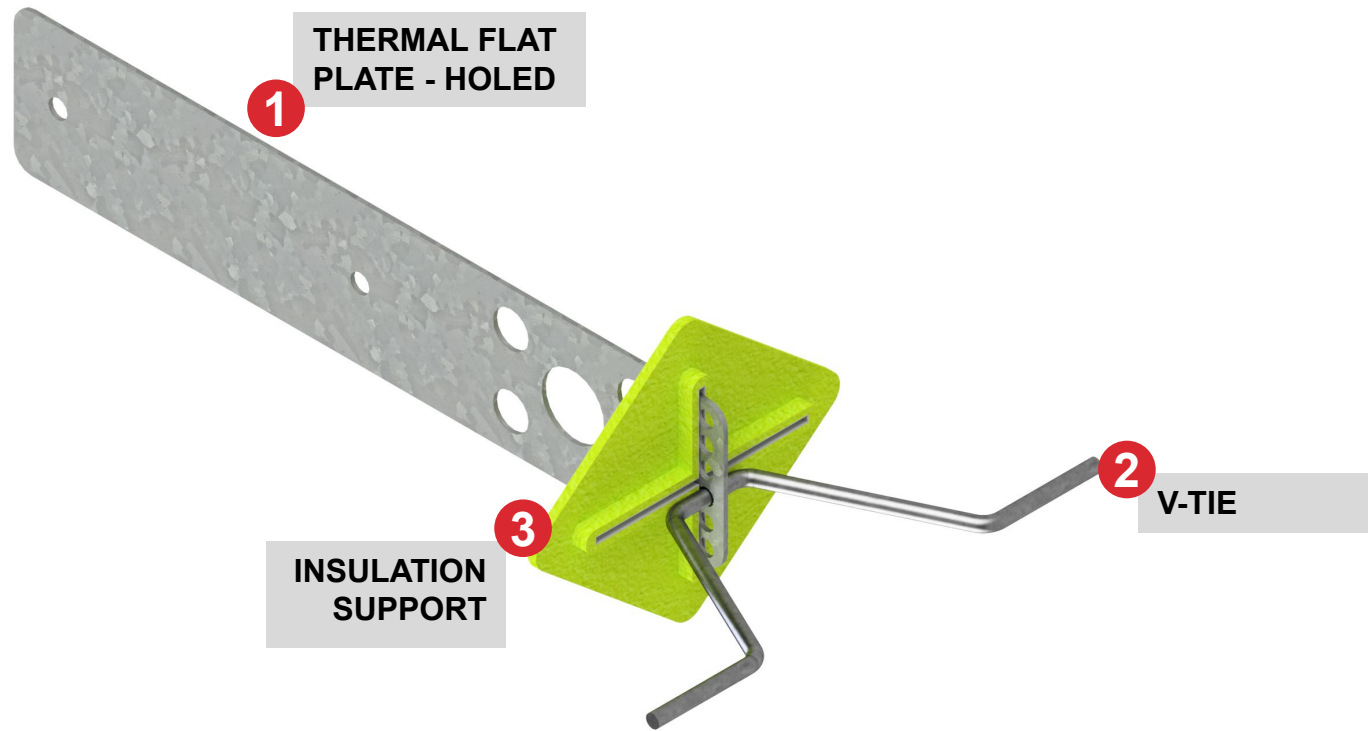


FERO Thermal Tie™ - Holed Side Mounted Rap-Tie® Masonry Connector

For steel stud walls



SYSTEM COMPONENTS:

1. **Thermal Flat Plate - Holed**
 - Thermal holes through the body of the plate reduces thermal bridging
 - Composite action is achieved between the masonry veneer and the structural backing
2. **FERO V-Tie™**
 - Engages more mortar than any other tie
3. **Diamond Insulation Support (optional)**
 - Restrains the insulation from separating from the structural backing/air barrier

COMPONENT DIMENSIONS			
S	Stud Width		<input type="checkbox"/> in <input type="checkbox"/> mm
G	Gypsum/Sheathing		
I	Insulation		
A	Air Space		
V	Veneer Width		
FINISH:		<input type="checkbox"/> HDG	<input type="checkbox"/> SS
# of ties required:			

The FERO Thermal Tie™ - Holed Side Mounted Rap-Tie® Masonry Connector is designed to mount to the side of a stud. Fastening to the side web ensures the tie is placed precisely and transfers lateral loads in shear rather than direct tension, which is more optimal for the and fasteners. All FERO masonry ties are thermally broken with holes to minimize thermal conductivity.

Fasteners not included. This tie can be customized for higher loads and larger cavities. Contact FERO for engineering services if required.

Thermal Flat Plate:
Carbon Steel (16 Gauge) ASTM A1011 CS Type B
Stainless Steel (16 Gauge) ASTM 240 Type 304L

Hot-Dip Galvanizing:
Min. 460 g/m²/side
ASTM A123, ASTM A153 Class B

All FERO products include complete documentation with descriptions, technical illustrations and images. Installation requirements and methods are clearly detailed.

V-Tie:
Carbon Steel (ø3/16") ASTM A82
Stainless Steel (ø3/16") ASTM A580 Type 304

LEED/Recycled Content:
Steel: 87.6% post-consumer content; 6.8% pre-consumer content
Plastics: 100% post-consumer

FERO Thermal Tie™ Masonry Connectors satisfy requirements of CSA A370/ACI 530.1/ ASCE 6/ TMS 602/IBC.

Insulation Support:
100% Recycled Polyethylene