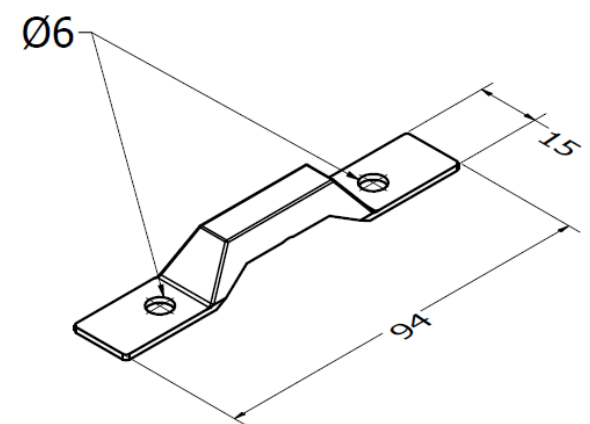
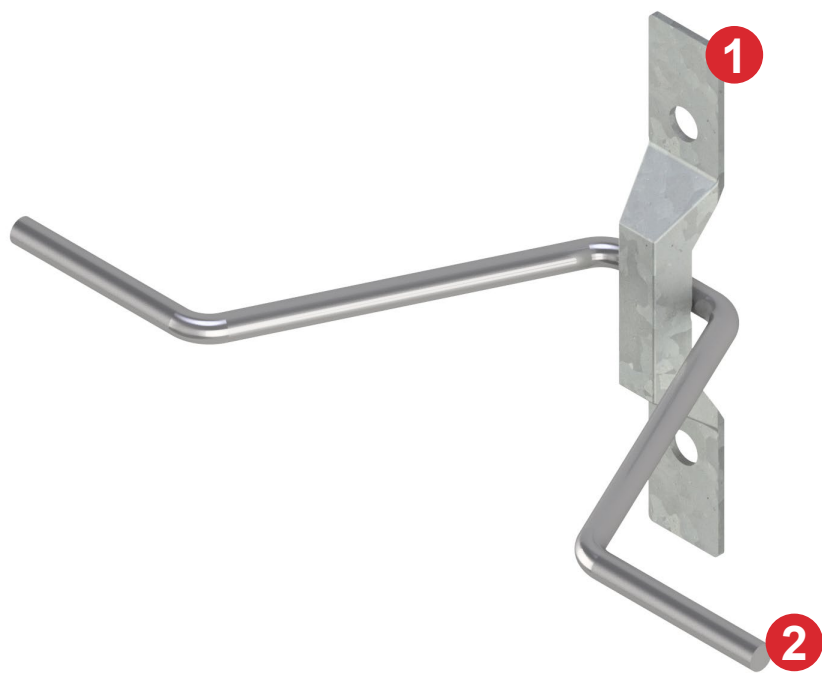


The FERRO® CAT Tie affixes exterior masonry veneer to a structural steel surface, withstanding high lateral loads. This tie is a heavy-duty system and the FERRO V-Tie™ wire provides a constant connection of the veneer wall to the structural backing without any risk of veneer disengagement. This tie transfers high lateral loads through the V-Tie and AB-Clip application allowing for greater push-through and pullout capacity in wall assemblies. The AB Clip may be welded or mechanically fastened directly on to the structural backing. FERRO CAT Ties transfer lateral loads, but are not designed to resist movement vertically. For products that resist shear and load in cavity walls, check out our FERRO Thermal Block Shear Connector™.

FERRO CAT TIE SYSTEM COMPONENTS:

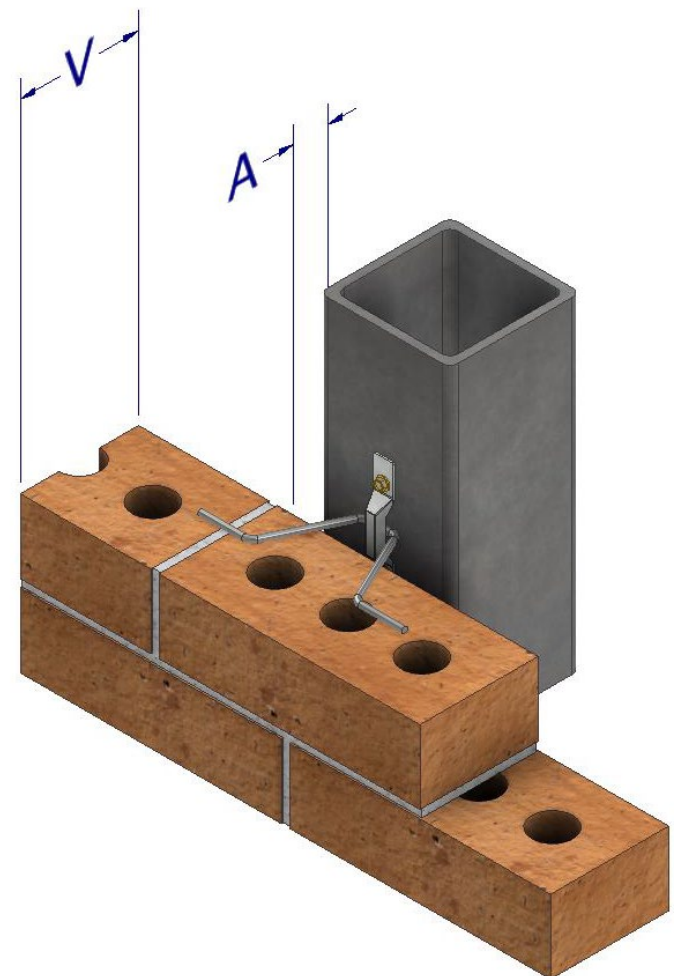
1. AB-Clip

- Distributes any concentrations of load over a large area, reducing the risk of damage to wood surfaces or structural backings
- The AB-Clip is offered in one standard size and configuration (image below)



2. FERRO V-Tie™

- Engages more mortar than any other tie



ORDER FERRO CAT TIES			
A	Air Space		<input type="checkbox"/> in
V	Veneer Width		<input type="checkbox"/> mm
FINISH:		<input type="checkbox"/> HDG	<input type="checkbox"/> SS
# of ties required:			

AB-Clip:
Carbon Steel (16 Gauge) ASTM A653/A924 SS230
Stainless Steel (16 Gauge) ASTM 240 Type 304L

V-Tie:
Carbon Steel (ø3/16") ASTM A82
Stainless Steel (ø3/16") ASTM A580 Type 304

Hot-Dip Galvanizing:
Min. 460 g/m²/side
ASTM A123, ASTM A153 Class B

LEED/Recycled Content:
Steel: 87.6% post-consumer content; 6.8% pre-consumer content
Plastics: 100% post-consumer

All FERRO products include complete documentation with descriptions, technical illustrations and images. Installation requirements and methods are clearly detailed.

Satisfies requirements of CSA A370, ACI 530.1/ ASCE 6/ TMS 602, IBC, ASTM A123, ASTM A153, Class B.