



780.455.5098
engineering@ferocorp.com
www.ferocorp.com

How should I specify the FERO Break-Away™ Fire-Release Connectors?

We typically see our connectors in the metals/structural steel section. Suggested spec:

FERO Break-Away™ Fire-Release Connectors

1. Manufactured by FERO Corporation in Edmonton, Alberta, Canada.
 - a. Slotted steel support angle with fusible nylon washer against a grooved edge
 - b. Size:
 - i. Steel support with dimensions, configuration, and spacing as indicated on drawings

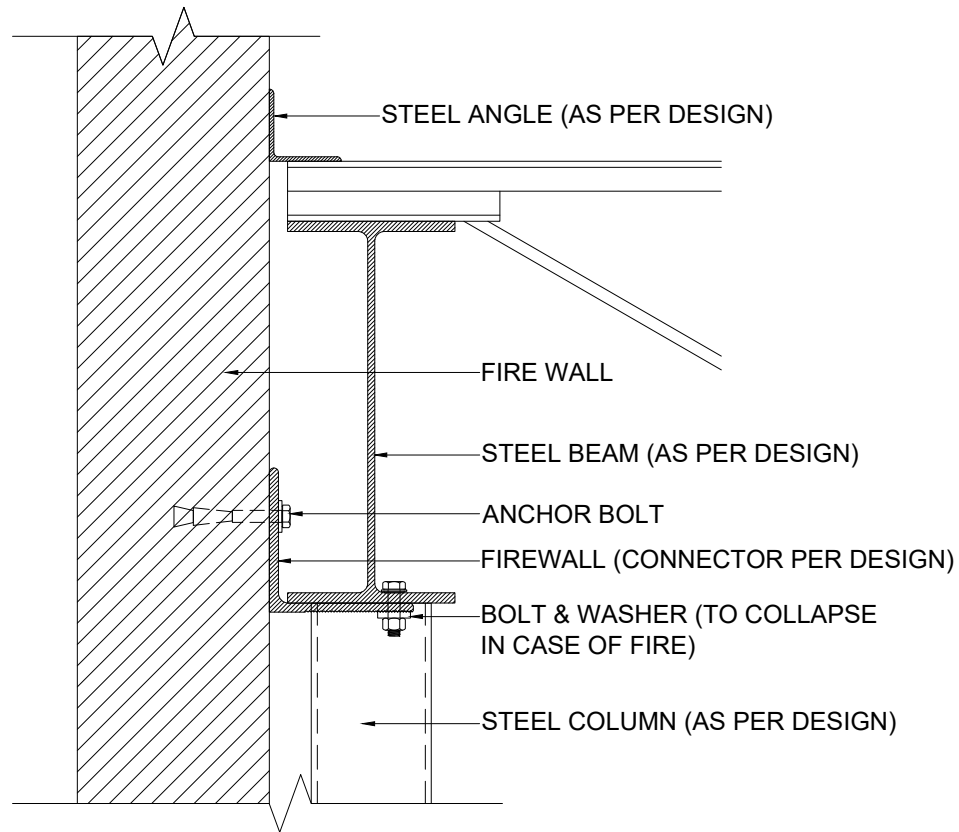
On drawings, we suggest labelling the connectors as:

FERO Break-Away™ Fire-Release Single/ Dual/ Angle, Standard/ Inverted Connector:
L x W x H - T (or angle size), spaced x in.

Copyright © 2021 FERO Corporation

FERO® and Break-Away™ are registered trademarks of FERO Corporation.

Patented – US 8,490,340; US 8,490,341; US 8,955,263; US 9,234,344; CA 2 738 488; CA 2 751 858; CA 2 769 821; CA 2 865 824.



PREPARED FOR:

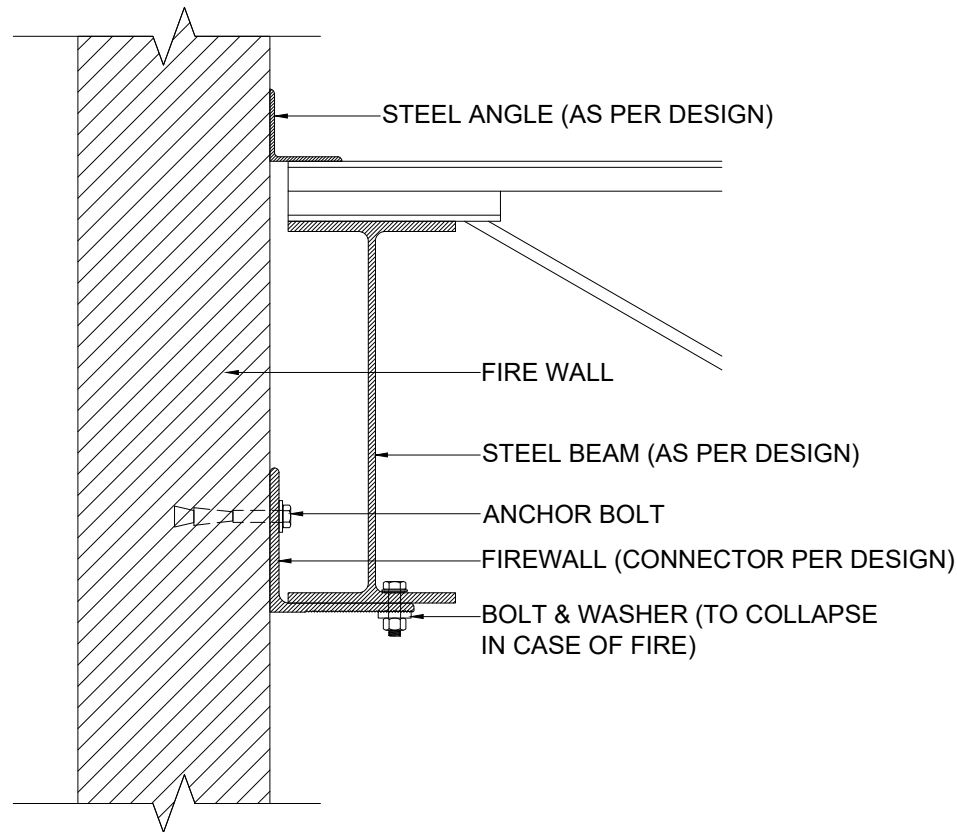
Copyright © 2001 FERRO Corporation
 THESE DRAWINGS HAVE BEEN PREPARED FOR THE SOLE PURPOSE OF REFERENCE FOR CUSTOMER CONTRACTOR AND DESIGN PROFESSIONAL (STRUCTURAL ENGINEER/ARCHITECT). ALL RIGHTS RESERVED. ALL WORKS CONTAINED HEREIN ARE OWNED BY FERRO CORPORATION AND PATENT PROTECTED. MANUFACTURE IS NOT PERMITTED BY ANY PARTY OTHER THAN FERRO CORPORATION.

THESE DRAWINGS ARE PROVIDED FOR INFORMATIONAL PURPOSES ONLY. WHILE EVERY EFFORT IS MADE TO ENSURE ACCURACY, FERRO DOES NOT TAKE ANY RESPONSIBILITY FOR THE ACCURACY OF THESE DRAWINGS. THE BUYER/CONTRACTOR AND DESIGN PROFESSIONAL (ENGINEER/ARCHITECT) HAS PRIMARY RESPONSIBILITY TO REVIEW THESE DRAWINGS TO ENSURE DRAWINGS CONFORM TO THE APPLICABLE DESIGN SPECIFICATIONS AND MEASUREMENTS. ALL DIMENSIONS CONTAINED HEREIN MUST BE VERIFIED AND APPROVED BY THE BUYER/CONTRACTOR AND THE ENGINEER/ARCHITECT BEFORE PURCHASE AND BEFORE CONSTRUCTION BEGINS. RECEIPT OF THIS DRAWING ASSUMES ALL RISK AND LIABILITY FOR ANY LOSSES, DAMAGES, CLAIMS OR EXPENSES RESULTING FROM THE USE OF THESE SHOP DRAWINGS. THE AUTHOR OF THESE DRAWINGS IS NOT AN INSPECTOR OR ENGINEER.

FERRO and Ferro-101 are registered trademarks of FERRO Corporation.
 Patented: US 5,440,340; US 5,440,341; US 5,440,342; US 5,234,344; CA 2,738,486; CA 2,751,858; CA 2,769,801; CA 2,863,824.

ENGINEERED MASONRY CONNECTORS
 FERRO
 10101 17th Avenue, Suite 200, Denver, CO 80202, USA
 303.755.4300, 4300 17th Avenue, Suite 200, Denver, CO 80202, USA
 www.ferroconnectors.com

DESIGN BY:	CHK'D BY:	APP'D BY:
DATE: 01/01/01	REV:	DRAWING NO. FERRO-1.01
SCALE: 1/2" = 1'-0"		



PREPARED FOR:

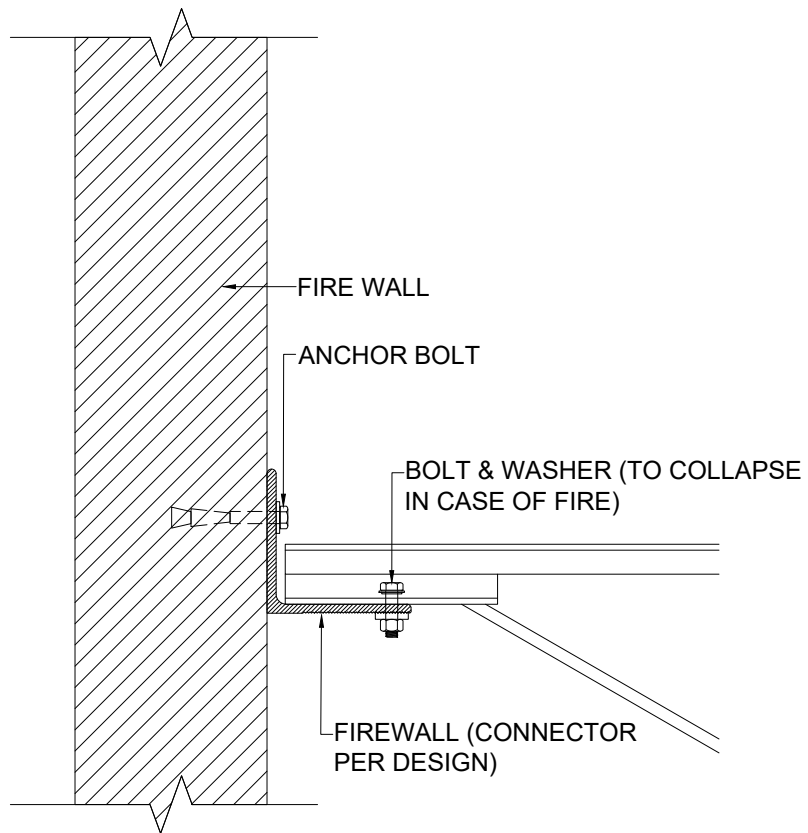
Copyright © 2001 FERRO Corporation
 THESE DRAWINGS HAVE BEEN PREPARED FOR THE SOLE PURPOSE OF REFERENCE FOR CUSTOMER CONTRACTOR AND DESIGN PROFESSIONAL (STRUCTURAL ENGINEER/ARCHITECT). ALL RIGHTS RESERVED. ALL WORKS CONTAINED HEREIN ARE OWNED BY FERRO CORPORATION AND PATENT PROTECTED. MANUFACTURE IS NOT PERMITTED BY ANY PARTY OTHER THAN FERRO CORPORATION.

THESE DRAWINGS ARE PROVIDED FOR INFORMATIONAL PURPOSES ONLY. WHILE EVERY EFFORT IS MADE TO ENSURE ACCURACY, FERRO DOES NOT TAKE ANY RESPONSIBILITY FOR THE ACCURACY OF THESE DRAWINGS. THE BUYER/CONTRACTOR AND DESIGN PROFESSIONAL (ENGINEER/ARCHITECT) HAS PRIMARY RESPONSIBILITY TO REVIEW THESE DRAWINGS TO ENSURE DRAWINGS CONFORM TO THE APPLICABLE DESIGN SPECIFICATIONS AND MEASUREMENTS. ALL DIMENSIONS CONTAINED HEREIN MUST BE VERIFIED AND APPROVED BY THE BUYER/CONTRACTOR AND THE ENGINEER/ARCHITECT BEFORE PURCHASE AND BEFORE CONSTRUCTION BEGINS. RECEIPT OF THIS DRAWING ASSUMES ALL RISK AND LIABILITY FOR ANY LOSSES, DAMAGES, CLAIMS OR EXPENSES RESULTING FROM THE USE OF THESE SHOP DRAWINGS. THE AUTHOR OF THESE DRAWINGS IS NOT AN INSPECTOR OR ENGINEER.

FERRO and Ferro-102 are registered trademarks of FERRO Corporation.
 Patented - US 6,440,340; US 6,440,341; US 6,545,265; US 6,534,344; CA 2,738,486; CA 2,751,858; CA 2,769,801; CA 2,863,824.

ENGINEERED MASONRY CONNECTORS
 FERRO
 10000 Ferrocene Road, Ferrocene, PA 15035
 717-263-4300 Fax: 717-263-4301
 www.ferroconnectors.com

DESIGN BY:	CHK'D BY:	APP'D BY:
FIREWALL CONNECTOR BEAM SUPPORT DETAIL		
DATE: 01/03/01	REV:	DRAWING NO. FERRO-1.02
SCALE: 1/2" = 1'-0"		



PREPARED FOR:

Copyright © 2001 FERRO Corporation

THESE DRAWINGS HAVE BEEN PREPARED FOR THE SOLE PURPOSE OF REFERENCE FOR CUSTOMER CONTRACTOR AND DESIGN PROFESSIONAL (STRUCTURAL ENGINEER/ARCHITECT). ALL RIGHTS RESERVED. ALL WORKS CONTAINED HEREIN ARE OWNED BY FERRO CORPORATION AND PATENT PROTECTED. MANUFACTURE IS NOT PERMITTED BY ANY PARTY OTHER THAN FERRO CORPORATION.

THESE DRAWINGS ARE PROVIDED FOR INFORMATIONAL PURPOSES ONLY. WHILE EVERY EFFORT IS MADE TO ENSURE ACCURACY, FERRO DOES NOT TAKE ANY RESPONSIBILITY FOR THE ACCURACY OF THESE DRAWINGS. THE BUYER/CONTRACTOR AND DESIGN PROFESSIONAL (ENGINEER/ARCHITECT) HAS PRIMARY RESPONSIBILITY TO REVIEW THESE DRAWINGS TO ENSURE DRAWINGS CONFORM TO THE APPLICABLE DESIGN SPECIFICATIONS AND REQUIREMENTS. ALL DIMENSIONS SHOWN MUST BE VERIFIED AND APPROVED BY THE BUYER/CONTRACTOR AND THE ENGINEER/ARCHITECT BEFORE PURCHASE AND BEFORE CONSTRUCTION BEGINS. RECEIPT OF THIS DRAWING ASSUMES ALL RISK AND LIABILITY FOR ANY LOCAL, NATIONAL, STATE OR FEDERAL REGULATIONS FROM THE USE OF THESE SHOP DRAWINGS. THE AUTHOR OF THESE DRAWINGS IS NOT AN ARCHITECT OR ENGINEER.

FERRO and Ferro-Shop are registered trademarks of FERRO Corporation.

Patented - US 5,440,340; US 5,440,341; US 5,455,265; US 5,234,344; CA 2,739,486; CA 2,751,858; CA 2,769,801; CA 2,865,824.

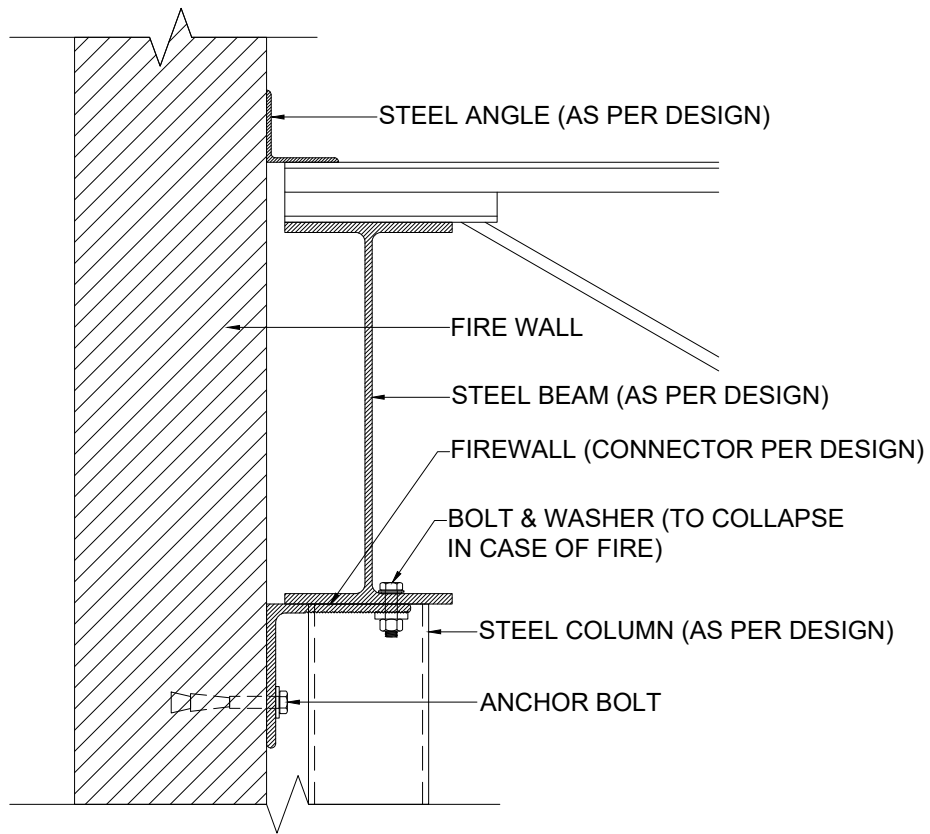
ENGINEERED MASONRY CONNECTORS
 FERRO
 10000 Ferrocourt Drive, Ferrous, OH 44031
 1-800-368-3636
 www.ferroconnectors.com

DRAWN BY: [] CHD BY: [] APP'D BY: []

FIREWALL CONNECTOR JOIST SUPPORT DETAIL

DATE: 01/03/01 REV: [] DRAWING NO. []

SCALE: 1/2" = 1'-0" FERRO -1.03



PREPARED FOR:

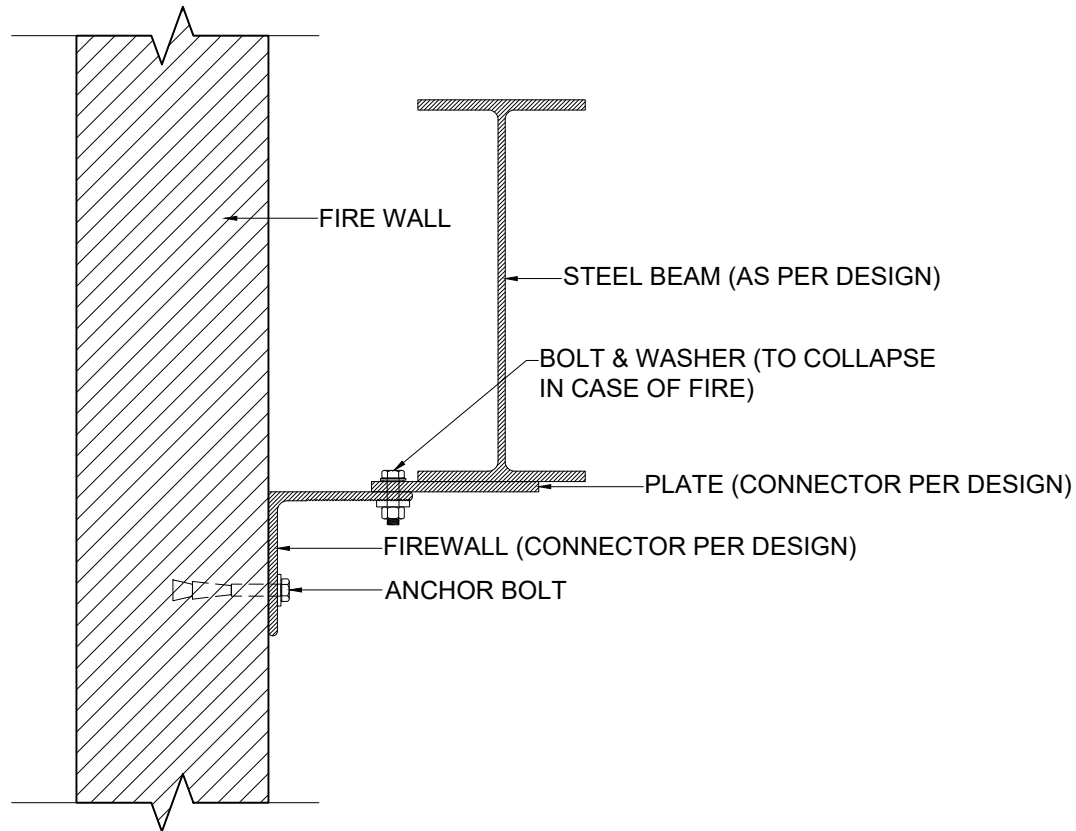
Copyright © 2001 FERRO Corporation
 THESE DRAWINGS HAVE BEEN PREPARED FOR THE SOLE PURPOSE OF REFERENCE FOR CUSTOMER CONTRACTOR AND DESIGN PROFESSIONAL (STRUCTURAL ENGINEER/ARCHITECT). ALL RIGHTS RESERVED. ALL WORKS CONTAINED HEREIN ARE OWNED BY FERRO CORPORATION AND PATENT PROTECTED. MANUFACTURE IS NOT PERMITTED BY ANY PARTY OTHER THAN FERRO CORPORATION.

THESE DRAWINGS ARE PROVIDED FOR INFORMATIONAL PURPOSES ONLY. WHILE EVERY EFFORT IS MADE TO ENSURE ACCURACY, FERRO DOES NOT TAKE ANY RESPONSIBILITY FOR THE ACCURACY OF THESE DRAWINGS. THE BUYER/CONTRACTOR AND DESIGN PROFESSIONAL (ENGINEER/ARCHITECT) HAS PRIMARY RESPONSIBILITY TO REVIEW THESE DRAWINGS TO ENSURE DRAWINGS CONFORM TO THE APPLICABLE DESIGN SPECIFICATIONS AND MEASUREMENTS. ALL DIMENSIONS CONTAINED HEREIN MUST BE VERIFIED AND APPROVED BY THE BUYER/CONTRACTOR AND THE ENGINEER/ARCHITECT BEFORE PURCHASE AND BEFORE CONSTRUCTION BEGINS. RECEIPT OF THIS DRAWING ASSUMES ALL RISK AND LIABILITY FOR ANY LOSSES, DAMAGES, CLAIMS OR EXPENSES RESULTING FROM THE USE OF THESE SHOP DRAWINGS. THE AUTHOR OF THESE DRAWINGS IS NOT AN INSPECTOR OR ENGINEER.

FERRO and Ferro-104 are registered trademarks of FERRO Corporation.
 Patented - US 8,440,340; US 8,440,341; US 8,455,265; US 8,234,344; CA 2,738,486; CA 2,751,858; CA 2,769,801; CA 2,865,824.

ENGINEERED MASONRY CONNECTORS
 FERRO CORPORATION
 10000 15th Avenue, Suite 200, Denver, CO 80231
 (303) 470-2200 Fax: (303) 470-2205
 www.ferroconnectors.com info@ferroconnectors.com

DATE: 01/03/01	REV:	DRAWING NO.:	FERRO -1.04
SCALE: 1/2" = 1'-0"			



PREPARED FOR:

Copyright © 2001 FERRO Corporation

THESE DRAWINGS HAVE BEEN PREPARED FOR THE SOLE PURPOSE OF REFERENCE FOR CUSTOMER CONTRACTOR AND DESIGN PROFESSIONAL (STRUCTURAL ENGINEER/ARCHITECT). ALL RIGHTS RESERVED. ALL WORKS CONTAINED HEREIN ARE OWNED BY FERRO CORPORATION AND PATENT PROTECTED. MANUFACTURE IS NOT PERMITTED BY ANY PARTY OTHER THAN FERRO CORPORATION.

THESE DRAWINGS ARE PROVIDED FOR INFORMATIONAL PURPOSES ONLY. WHILE EVERY EFFORT IS MADE TO ENSURE ACCURACY, FERRO DOES NOT TAKE ANY RESPONSIBILITY FOR THE ACCURACY OF THESE DRAWINGS. THE BUYER/CONTRACTOR AND DESIGN PROFESSIONAL (ENGINEER/ARCHITECT) HAS PRIMARY RESPONSIBILITY TO REVIEW THESE DRAWINGS TO ENSURE DRAWINGS CONFORM TO THE APPLICABLE DESIGN SPECIFICATIONS AND MEASUREMENTS. ALL DIMENSIONS SHOWN MUST BE VERIFIED AND APPROVED BY THE BUYER/CONTRACTOR AND THE ENGINEER/ARCHITECT BEFORE PURCHASE AND BEFORE CONSTRUCTION BEGINS. RECEIPT OF THIS DRAWING ASSUMES ALL RISK AND LIABILITY FOR ANY LOSSES, DAMAGES, CLAIMS OR EXPENSES RESULTING FROM THE USE OF THESE SHOP DRAWINGS. THE AUTHOR OF THESE DRAWINGS IS NOT AN ARCHITECT OR ENGINEER.

FERRO and Ferro-105 are registered trademarks of FERRO Corporation.

Patented - US 5,440,340; US 5,440,341; US 5,455,265; US 5,234,344; CA 2,739,486; CA 2,751,858; CA 2,769,801; CA 2,865,824.

ENGINEERED MASONRY CONNECTORS
 FERRO
 10000 Ferrocene Road, Ferrocene, PA 15035
 717-263-4300 Fax: 717-263-4301
 www.ferroconnectors.com

DESIGN BY: _____ CHECKED BY: _____ APPROVED BY: _____

FIREWALL CONNECTOR SUPPORT DETAIL

DATE: 01/01/01 REV: _____ DRAWING NO. _____ FERRO -1.05
 SCALE: 1/2" = 1'-0"