



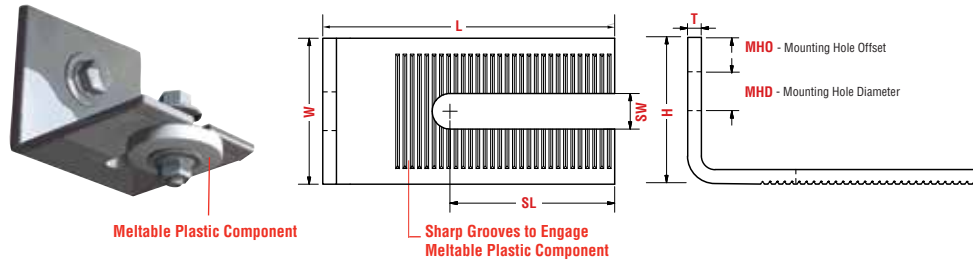
FERO

BREAK-AWAY FIRE-RELEASE CONNECTORS SPECIFICATIONS AND ORDERING

When ordering please forward the following specifications from the structural designer:

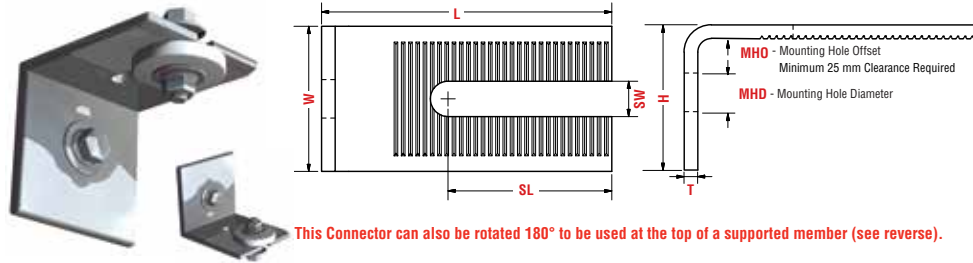
*Material thickness available - 6.35mm (1/4"), 12.7mm (1/2") & 16mm (5/8"). If specifying Custom Connectors - use the column provided. For load bearing, adjust the width** to accommodate your load requirements.

Standard Connector for Lateral Support



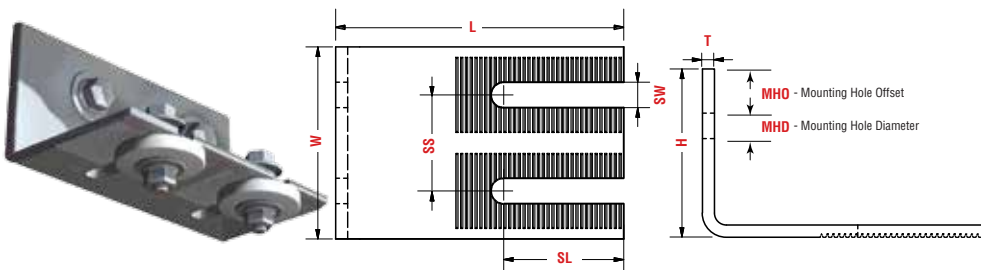
Dimension	mm	Custom
L - Length		
W - Width	50	
H - Height	50	
T - Thickness*		
SL - Slot Length		
SW - Slot Width	7.35	
MHO - Hole Offset	25	
MHD - Hole Diameter	7.35	
Order Quantity		

Inverted Connector for Lateral Support



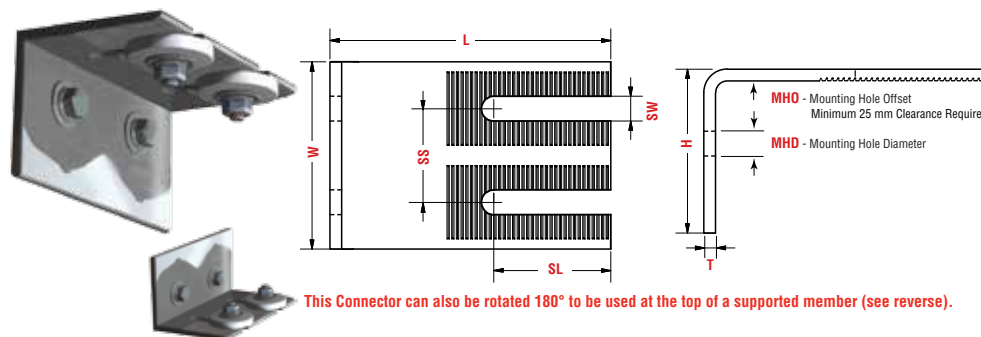
Dimension	mm	Custom
L - Length		
W - Width	50	
H - Height	50	
T - Thickness*		
SL - Slot Length		
SW - Slot Width	7.35	
MHO - Hole Offset	25	
MHD - Hole Diameter	7.35	
Order Quantity		

Dual Load Bearing Connector



Dimension	mm
L - Length	
W - Width**	
H - Height	
T - Thickness*	
SL - Slot Length	
SW - Slot Width	
SS - Slot Separation	
MHO - Mounting Hole Offset	
MHD - Mounting Hole Diameter	
Order Quantity	

Dual Inverted Load Bearing Connector

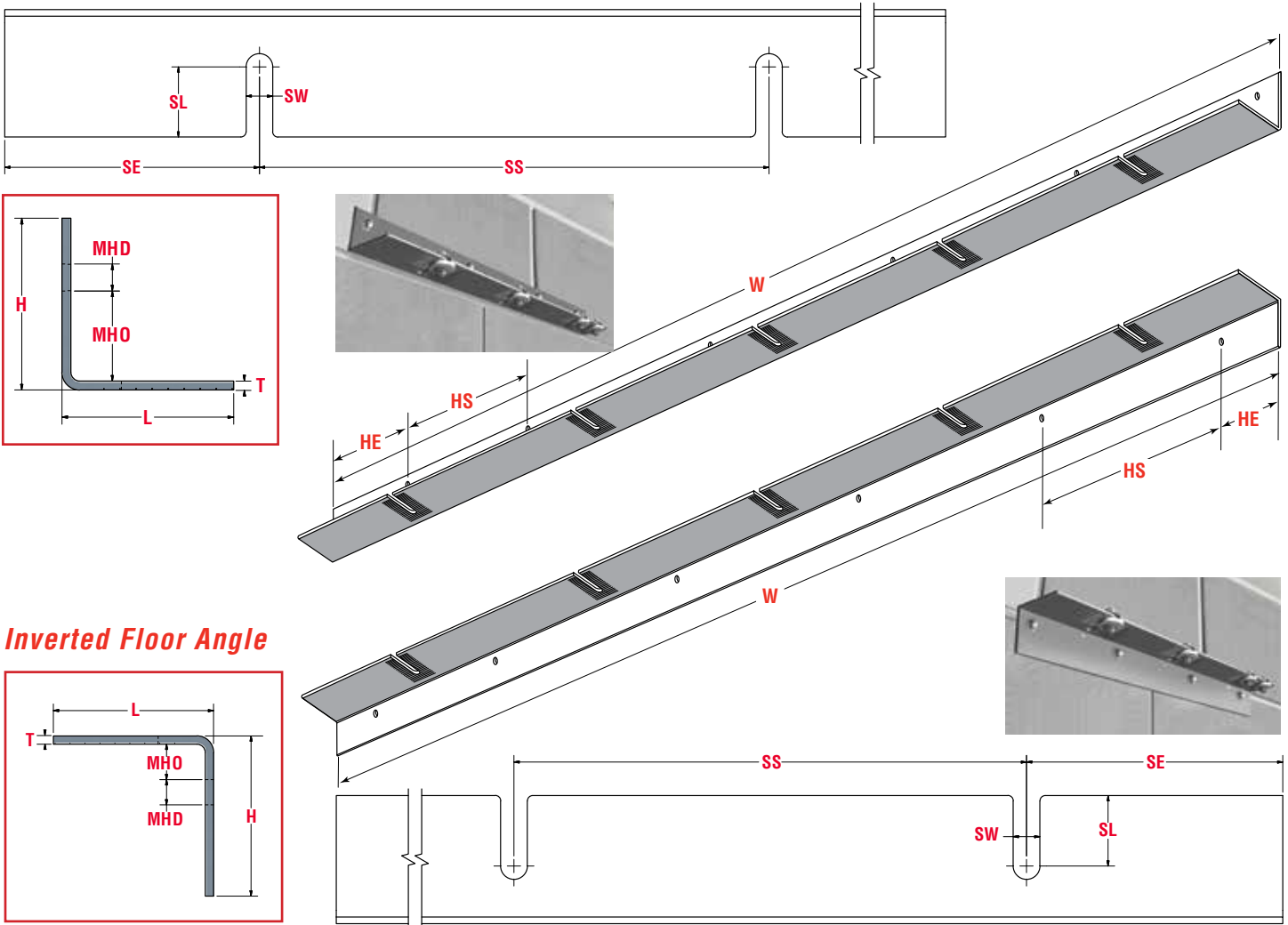


Dimension	mm
L - Length	
W - Width**	
H - Height	
T - Thickness*	
SL - Slot Length	
SW - Slot Width	
SS - Slot Separation	
MHO - Mounting Hole Offset	
MHD - Mounting Hole Diameter	
Order Quantity	

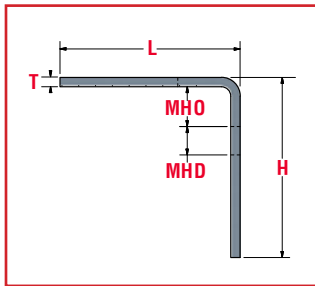
SEE REVERSE FOR TECHNICAL INFORMATION ON ROOF AND FLOOR ANGLE CONNECTORS

Copyright © 2021 FERO Corporation
 FERO® and Break-Away™ are registered trademarks of FERO Corporation.
 Patented – US 8,490,340; US 8,490,341; US 8,955,263; US 9,234,344; CA 2 738 488; CA 2 751 858; CA 2 769 821; CA 2 865 824.

Standard Roof Angle



Inverted Floor Angle



ALL SPECIFICATIONS to be specified by project engineer.

NOTE: Continuous Roof and Floor Angles are Fully Customizable

MHO: Mounting Hole Offset - minimum 25 mm from top for bolt and meltable washer

SS: Slot Separation - also distance between OWSJ

W: Width of Angle - 3000 mm is the most cost effective - longer angles available by request

T: Thickness - 12.7 mm and 16 mm also available

Fero Break-Away Fire Release Connectors are to be installed under the following conditions:

- 1) The meltable washer must be exposed to the heat source,
- 2) the meltable washer must be in full contact with the grooves on the connector.

	Dimensions mm	Standard	Custom
L:	Length	90	
H:	Height	90	
T:	Thickness	6.35	
W:	Width	3000	
SW:	Slot Width	7.35	
SL:	Slot Length		
SS:	Slot Separation		
SE:	Slot to Edge		
HS:	Hole Separation		
HE:	Hole to Edge		
MHD:	Mounting Hole Diameter	7.35	
MHO:	Mounting Hole Offset		
	Roof Angle Qty.		
	Floor Angle Qty.		